

BL5016 Halogen Bullyte with Mounting Stake



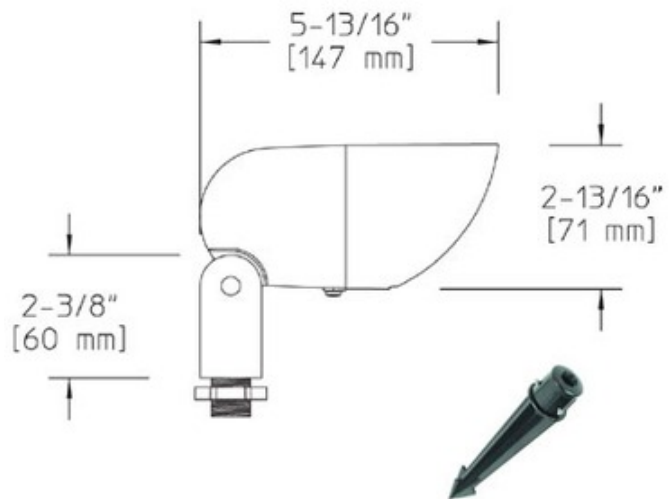
Description:

BL5016 Aluminum Bullyte with Mounting Stake is fabricated from die cast marine grade aluminum alloy with fully adjustable swivel arm with vibration proof locking teeth and fully adjustable double gasketed shroud. Thermoset polyester powdercoat finish in Black, Verde or Bronze. Clear tempered glass affixed at 10 degree angle for natural cleaning. Includes 1.4 inch diameter x 9.5 inch length S7 PVC stake with integral .5 inch NPS fitter. Optional junction box accessories available, sold separately. One 50 watt 12 volt GU5.3 MR16 lamp is required, but not included. Covered MR16 recommended to protect inner capsule of lamp. Pre-wired with 3 foot pigtail of 18-2 AWG wire. Includes low voltage quick connector LVC3 for easy hook up to the low voltage supply cable, sold separately. 2.8 inch diameter x 5.8 inch length. ETL listed for wet locations. Required remote transformer and optional mounting accessories sold separately.

Shown in: Bronze

List Price: \$93.75
 Our Price: \$56.25

Shade Color: N/A
 Body Finish: Bronze
 Lamp: 1 x MR16/GU5.3 (bipin)/50W/12V Halogen
 1 x MR16/GU5.3 (bipin)/12V LED
 Wattage: 50W
 Dimmer: Dimmable
 Dimensions: 5.8"L x 2.8"W



Product Number: HAD 1 19280			
Company:		Fixture Type:	Date: Mar 20, 2018
Project:		Approved By:	

#0810XX-MICROHS-003H1-CLBZ

Fax: (773) 883-6131

Phone: 866-954-4489

Address: 1718 W. Fullerton Ave. Chicago IL 60614

www.Lightology.com