

BL711 Mini-Bullyte with Mounting Stake



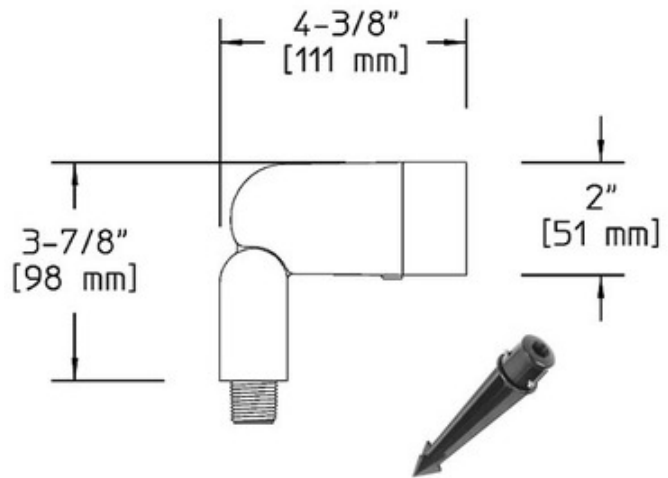
Description:

BL711 Mini-Bullyte with Mounting Stake is fabricated from die cast aluminum with thermoset polyester powdercoat finish in Black or Bronze. Double gasketed shroud and fully adjustable swivel arm with vibration proof locking teeth. Clear tempered glass lens. Includes 1.4 inch diameter x 9.5 inch length S7 PVC stake with integral .5 inch NPS fitter. Optional junction box accessories available, sold separately. One 35 watt maximum 12 volt MR11 bipin lamp is required, but not included. Pre-wired with 3 foot pigtail of 18-2 AWG wire. Includes low voltage quick connector LVC3 for easy hook up to the low voltage supply cable, sold separately. 2 inch diameter x 4.3 inch depth x 3.9 inch height. ETL listed for wet locations. Required low voltage remote transformer and optional mounting accessories sold separately.

Shown in: Black

List Price: \$95.75
 Our Price: \$57.45

Shade Color: N/A
 Body Finish: Black
 Lamp: 1 x MR11/Bipin/35W/12V Halogen
 Wattage: 35W
 Dimmer: Dimmable
 Dimensions: 3.9"H x 2"W x 4.4"D



Product Number: HAD 1 19299			
Company:		Fixture Type:	Date: Apr 25, 2018
Project:		Approved By:	

#081OBL-MICROAS-002H1-CLBK

Fax: (773) 883-6131

Phone: 866-954-4489

Address: 1718 W. Fullerton Ave. Chicago IL 60614

www.Lightology.com