

BL616 LED Bullyte with Mounting Stake 7W 24 Deg



Description:

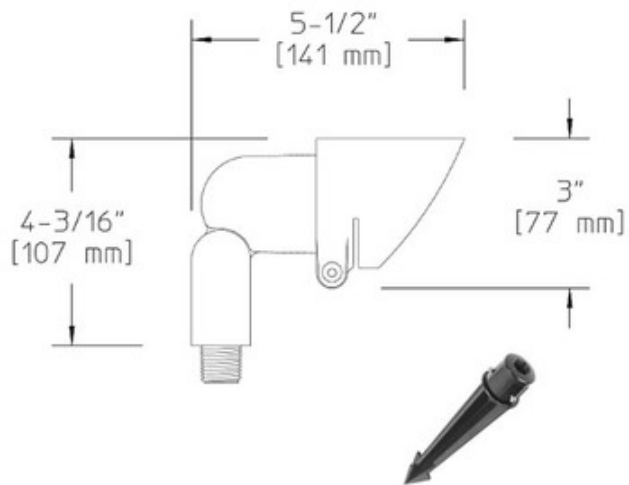
BL616 7 Watt 24 Degree Flood LED Bullyte with Mounting Stake is fabricated from die cast marine grade aluminum alloy with gasketed fully rotatable shroud and fully adjustable swivel arm with vibration proof locking teeth. Thermoset polyester powdercoat finish in Black or Verde. Clear tempered glass lens. Includes 1.4 inch diameter x 9.5 inch length S7 PVC stake with integral .5 inch NPS fitter. Optional junction box accessories available, sold separately. Includes 12 volt, 7 watt GU5.3 MR16 LED lamp with 24 degree beam spread with 2700K Warm White color temperature. 25,000 hour lamp life. Available in a 24 degree and 36 degree beam spread option. Pre-wired with 3 foot pigtail of 18-2 AWG wire. Includes low voltage quick connector LVC3 for easy hook up to the low voltage supply cable, sold separately. 3 inch diameter x 5.5 inch depth x 4.2 inch height. ETL listed for wet locations. Required low voltage transformer and optional mounting accessories sold separately.

Shown in: Black

List Price: \$153.23
 Our Price: \$91.94

Shade Color: N/A
 Body Finish: Black
 Lamp: 1 x LED/7W/12V LED
 Wattage: 7W
 Dimmer: Dimmable
 Dimensions: 4.2"H x 3"W x 5.5"D

Technical Information
 Lamp Color: 2700 K



Product Number: HAD119313			
Company:		Fixture Type:	Date: Apr 26, 2018
Project:		Approved By:	

#0810XX-LEDBNFW-003L1-CLBK

Fax: (773) 883-6131

Phone: 866-954-4489

Address: 1718 W. Fullerton Ave. Chicago IL 60614

www.lightology.com