

BL1 Long Shroud Bullyte with Mounting Stake



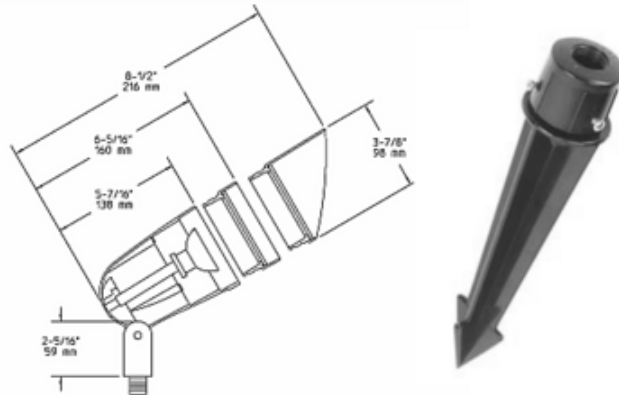
Description:

BL1 Long Shroud Bullyte with Mounting Stake is fabricated from die cast aluminum or brass with fully rotatable shroud and fully adjustable swivel arm with vibration proof locking teeth. Thermoset polyester powdercoat finish in Black or Bronze, or Natural Brass finish. 0.5 inch NPS male threads to screw onto included S7 mounting stake. Clear tempered glass lens. One 12 volt, 75 watt GU5.3 MR16 halogen lamp is required, but not included. Covered MR16 recommended to protect inner capsule of lamp. Pre-wired with 3 foot pigtail of 18-2 AWG wire. Includes low voltage quick connector LVC3 for easy hook up to the low voltage supply cable, sold separately. 3.9 inch diameter x 8.5 inch length. ETL listed for wet locations. Required low voltage remote transformer and optional mounting accessories sold separately.

Shown in: Black / Clear

List Price: \$139.75
Our Price: \$83.85

Shade Color: Clear
Body Finish: Black
Lamp: 1 x MR16/GU5.3 (bipin)/75W/12V Halogen
 1 x MR16/GU5.3 (bipin)/12V LED
Wattage: 75W
Dimmer: Dimmable
Dimensions: 8.5"L x 3.9"W



Product Number: HAD119377			
Company:		Fixture Type:	Date: Mar 21, 2018
Project:		Approved By:	

#081OBL-ALUMINU-004H1-CLBK

Fax: (773) 883-6131

Phone: 866-954-4489

Address: 1718 W. Fullerton Ave. Chicago IL 60614

www.lightology.com