



**BRAND**

Hadco by Signify

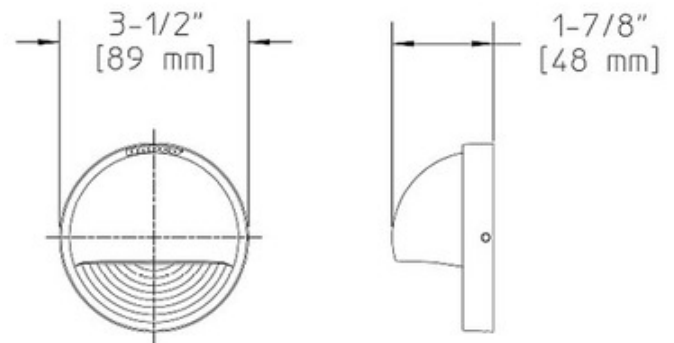
**DESCRIPTION**

DUL1 Halogen Composite Wall Mount Decklyte is fabricated from a one piece injection molded high performance polymer composite with stainless steel fasteners. Composite is textured, pressure formed, molded in color in Black or Bronze. Frosted, annealed glass lens with reflector in a stamped hammertone aluminum. Includes one 12 volt, 10 watt maximum JC G4 bi-pin halogen lamp. Pre-wired with a 6 foot pigtail of 18-2 AWG. Includes low voltage quick connector LVC3 for easy hook up to the low voltage supply cable, not included. 3.5 inch diameter x 1.9 inch depth. ETL listed for wet locations. 10 year limited warranty. Requires remote transformer, sold separately.



*Shown in: Black / Frosted*

<b>SHADE COLOR</b>	Frosted
<b>BODY FINISH</b>	Black
<b>WATTAGE</b>	10W
<b>DIMMER</b>	Dimmable
<b>DIMENSIONS</b>	3.5"W x 1.9"D
<b>BULB INCLUDED</b>	
<b>LAMP</b>	1 x JC/G4 (bipin)/10W/12V Halogen



**SPEC #** HAD119584

COMPANY	PROJECT	FIXTURE TYPE	APPROVED BY	DATE