

DWL1 Bronze Mini Beacon Bollard



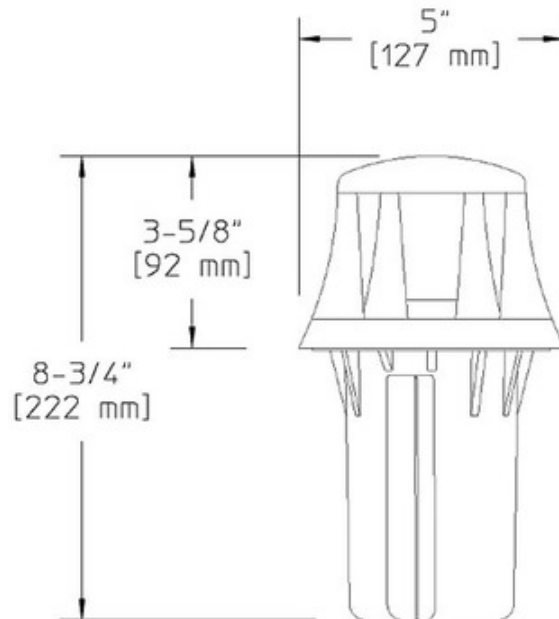
Description:

DWL1 Beacon Mini Bollard Fixture is fabricated from a single piece compression molded fiberglass reinforced polyester composite lower housing and die cast brass upper housing. Finish in Natural Brass is as cast and tumble polished. Composite is pressure formed, molded in color. Pre-wired with a 3 foot pigtail of 18-2 AWG. Includes low voltage quick connector LVC3 for easy hook up to the low voltage supply cable not included. One 20 watt T3 bipin halogen lamp included. Lower wattage lamps are acceptable. 5 inch diameter x 8.75 inch overall height and 3.6 inch above ground height. ETL listed for wet locations. Requires remote transformer not included.

Shown in: Natural Bronze / Frosted

List Price: \$350.00
 Our Price: \$210.00

Shade Color: Frosted
 Body Finish: Natural Bronze
 Lamp: 1 x T3/Bipin/20W/12V Halogen
 Wattage: 20W
 Dimmer: Dimmable
 Dimensions: 8.75"H x 5"W



Product Number: HAD 120055			
Company:		Fixture Type:	Date: Mar 19, 2018
Project:		Approved By:	

#081OBL-DWLBEAC-005H1-FRBZ

Fax: (773) 883-6131

Phone: 866-954-4489

Address: 1718 W. Fullerton Ave. Chicago IL 60614

www.Lightology.com