

# DWCL1 Composite Mini Beacon Bollard



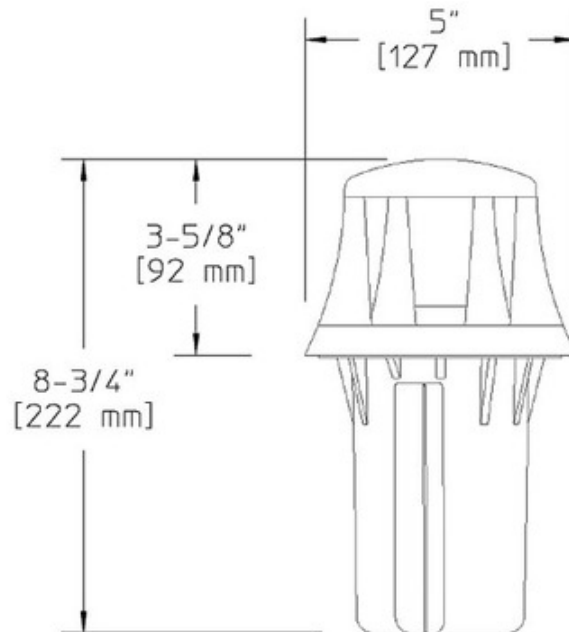
**Description:**

DWCL1 Composite Mini Beacon Fixture is constructed from a single piece compression molded fiberglass reinforced polyester composite material that is textured, pressure formed and molded-in-color in Black.  
 Â Frosted borosilicate glass optical assembly.  
 Â Prewired with 3 foot pigtail of 18-2 AWG wire. Â Low voltage quick connector LVC3 included for easy hook up to the low voltage supply cable not included.  
 Â One 20 watt T3 bipin halogen lamp included.  
 Â Lower wattage lamps are acceptable. Â 5 inch diameter x 8.75 inch overall high. Recommended 15 foot spacing. Â Requires remote transformer not included. Â ETL listed for wet locations.

Shown in: Black / Frosted

List Price: \$203.88  
 Our Price: \$122.33

Shade Color: Frosted  
 Body Finish: Black  
 Lamp: 1 x T3/Bipin/20W/12V Halogen  
 Wattage: 20W  
 Dimmer: Dimmable  
 Dimensions: 8.75"H x 5"W



Product Number: <b>HAD 120056</b>			
Company:		Fixture Type:	Date: Apr 25, 2018
Project:		Approved By:	