

DWC1 Composite Mini Beacon Bollard Integral Transformer



Description:

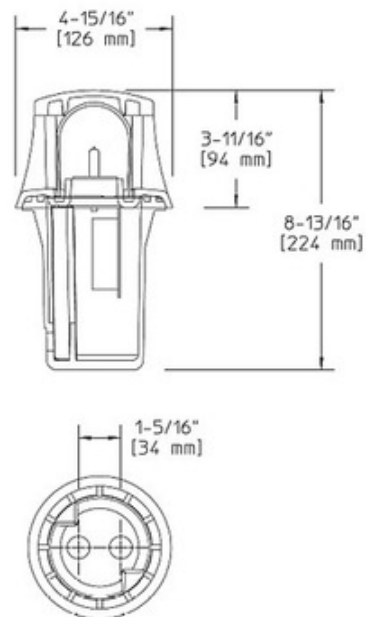
DWC1 Composite Mini Beacon Bollard with Integral Transformer is constructed from a single piece compression molded fiberglass reinforced polyester composite material that is textured, pressure formed and molded-in-color in Black. Frosted borosilicate glass optical assembly. One 20 watt T3 bipin halogen lamp included. Lower wattage lamps are acceptable. Includes electronic transformer. 4.9 inch diameter x 8.8 inch overall high. ETL listed for wet locations.



Shown in: Black / Frosted

List Price: \$322.98
 Our Price: \$193.79

Shade Color: Frosted
 Body Finish: Black
 Lamp: 1 x T3/Bipin/20W/12V Halogen
 Wattage: 20W
 Dimmer: Dimmable
 Dimensions: 8.8"H x 4.9"W



Product Number: HAD 120058			
Company:		Fixture Type:	Date: Mar 17, 2018
Project:		Approved By:	

#0810BN-DWCCOM-005H1-FRBK

Fax: (773) 883-6131

Phone: 866-954-4489

Address: 1718 W. Fullerton Ave. Chicago IL 60614

www.Lightology.com