

DESIGNER

Robert Sonneman

BRAND

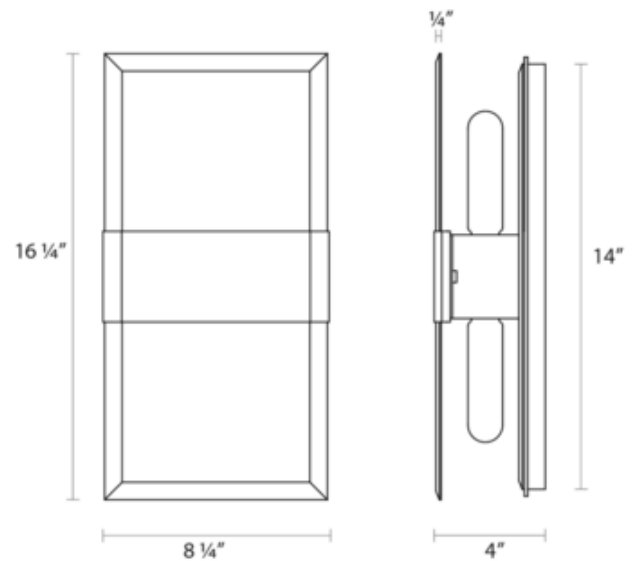
SONNEMAN - A Way of Light

DESCRIPTION

Mercer Street 2-Light Wall Sconce available in clear glass with a Satin Black or Polished Chrome finish. Two 60 watt, 120 volt, T10 medium base incandescent bulbs sold separately. Dimmable with Lutron Electronic Low Voltage dimmer, CTELV-303P, sold separately. ETL listed. 8.25 inches wide x 16.25 inches height x 0.25 inches depth.



SHADE COLOR	Clear
BODY FINISH	Polished Chrome
WATTAGE	120W
DIMMER	N/A
DIMENSIONS	8.25"W x 16.25"H x 0.25"D
BULB NOT INCLUDED	
LAMP	2 x T10/Medium (E26)/60W/120V Incandescent



SPEC # SON130727

COMPANY

PROJECT

FIXTURE TYPE

APPROVED BY

DATE