



**BRAND**

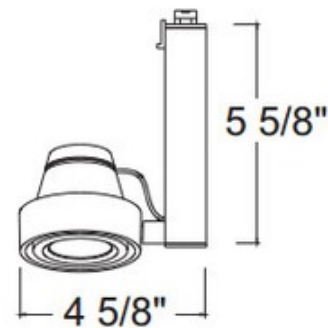
Juno Lighting

**DESCRIPTION**

T816 Uno Enclosed Back Trac Master MR16 Lamp Holder features a durable die-cast aluminum concentric gimbal ring attached to a extruded aluminum vertical chiseled monolith with a gimbal ring mechanism providing for broad aiming capability. May be adjusted up to 90 degrees perpendicular to the track in either direction and up to 45 degrees parallel to the track either direction. The solid state electronic integral transformer is concealed in the monolith and with its enclosed back eliminates any stray backlight effect from the lamps. Finish in White, Black or Silver. One 20-50 watt 12 volt GU5.3 MR16 lamps are required, but not included. Glass lens included with lampholder. Can accept up to two 2 inch accessories simultaneously. Fixture includes pull up contact to up position for 2-circuit application. UL listed. 4 5/8 inch width x 5 5/8 inch height. For use with Juno Lighting Trac-Master and Trac-Lites 1-circuit and Trac-Master 2-circuit line voltage trac systems.



<b>SHADE COLOR</b>	N/A
<b>BODY FINISH</b>	White
<b>WATTAGE</b>	50W
<b>DIMMER</b>	Low Voltage Electronic
<b>DIMENSIONS</b>	4.6"W x 5.6"H
<b>BULB NOT INCLUDED</b>	
<b>LAMP</b>	1 x MR16/GU5.3 (bipin)/50W/12V Halogen 1 x MR16/GU5.3 (bipin)/12V LED



**SPEC #**

JUN132114

COMPANY

PROJECT

FIXTURE TYPE

APPROVED BY

DATE