



BRAND

Et2

DESCRIPTION

Legendary meets contemporary with the Inca Wall Light. Reminiscent of the mythical tales of Incan treasures, the fixtures offer brilliantly shining crystals enclosed within a precision laser-cut sheath that cannot be duplicated. The glow of the light from within casts a beautifully radiant shine that adorns the outer permeable layer. Note: Only LED included option is Title 24 (J8).



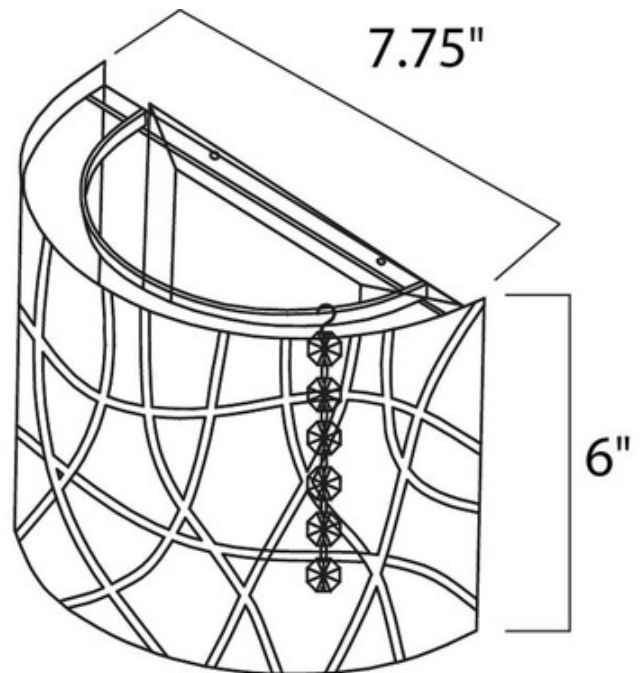
Shown in: Bronze

SHADE COLOR	N/A
BODY FINISH	Bronze
WATTAGE	7W
DIMMER	Standard 120V
DIMENSIONS	7.75"W x 6"H x 4"D
BULB NOT INCLUDED	
LAMP	1 x JCD/G9/7W/120V LED

Technical Information

PRODUCT DIMENSIONS	Backplate: 6.75"W x 5.13"H
---------------------------	----------------------------

SPEC #	ET2132326
---------------	-----------



COMPANY	PROJECT	FIXTURE TYPE	APPROVED BY	DATE