



BRAND

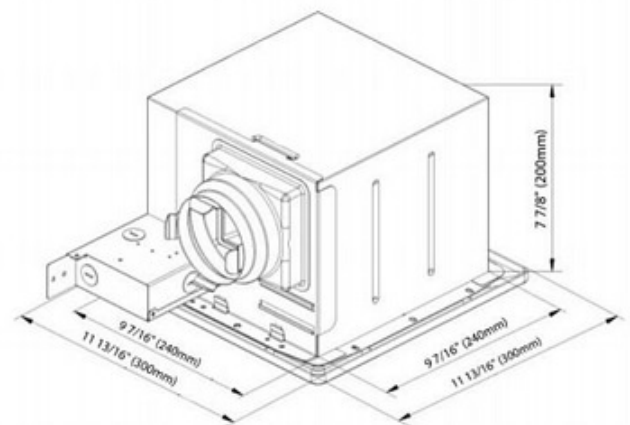
Aero Pure

DESCRIPTION

AP 70 G6 Very Quiet Ventilation Fan is available with a White finish. Designed for installation in ceilings with minimum of 8 inch clearance. It operates at a very low noise level and features an easy maintenance low profile grille. Enclosed AC motor is equipped with thermal shut off. Motor easily detaches from housing for wiring and installation. Comes standard with easy installation anti-vibration brackets. Rust proof steel fan housing unit with built in backdraft damper to prevent outdoor air from entering through fan. 4 inch duct connection. Energy Star qualified with no less than 70 CFM and no more than 1.0 Sones with an efficiency rating of no less than 2.7 CFM per watt. UL listed for tub and shower enclosure when used with GFCI branch circuit wiring and for use in insulated ceiling. For bathrooms up to 70 square feet. 11.7 inch square grille dimension. Housing dimensions 9.4 inches wide x 9.4 inches deep x 7.9 inches high. Includes 6 year warranty.



| | |
|--------------------|-------------------------|
| SHADE COLOR | N/A |
| BODY FINISH | White |
| WATTAGE | N/A |
| DIMMER | N/A |
| DIMENSIONS | 11.7"W x 7.9"H x 11.7"D |
| LAMP | N/A |



SPEC # AER151599

| COMPANY | PROJECT | FIXTURE TYPE | APPROVED BY | DATE |
|---------|---------|--------------|-------------|------|
| | | | | |