



BRAND

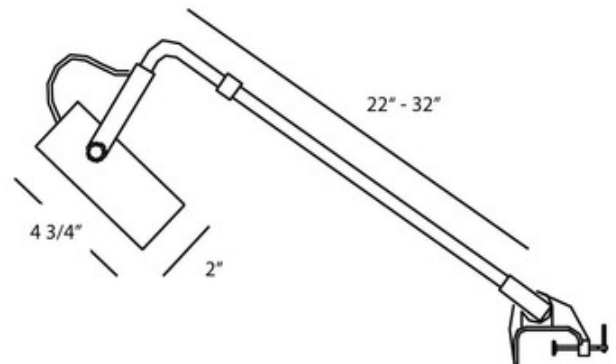
WAC Lighting

DESCRIPTION

DL-188 Line Voltage Display Light features an aluminum head and connector, periscoping arm is steel, and clamp is heavy duty polycarbonate. Available in Black or White finish. Sliding adjustable socket to accommodate lamp positioning. Yoke and swivel aiming feature allows a full range of vertical and horizontal orientation. Large locking screw assures the aiming angle is kept in place. Accepts up to 150 watt 120 volt PAR20 halogen lamp, not included. Includes 2 inch clamp which mounts to flat surfaces with tension clamp, accommodating widths of 2 to 2.5 inches, and 10 foot cord. UL listed. Dimension: 2 inch width x 4.75 inch height x 22 inch minimum to 32 inch maximum length. Optional mounting clamps available, sold separately.



SHADE COLOR	N/A
BODY FINISH	White
WATTAGE	150W
DIMMER	Standard 120V
DIMENSIONS	32"L x 2"W x 4.75"H
BULB NOT INCLUDED	
LAMP	1 x PAR20/Medium (E26)/150W/120V Halogen



SPEC #

WAC155774

COMPANY

PROJECT

FIXTURE TYPE

APPROVED BY

DATE
