



BRAND

Cerno

DESCRIPTION

The Mica Pendant is a simple cube that has been deconstructed to a sculptural shape that exudes a certain organic symmetry and is a beautiful node creating a sense of space and ambient glow. Available in two sizes with a Walnut or Dark Stained Walnut shade with frosted polymer diffuser complemented by a Brushed Aluminum canopy. 2700K and 3500K color temperature options available. UL and cUL listed. Made in the USA. Prop 65.



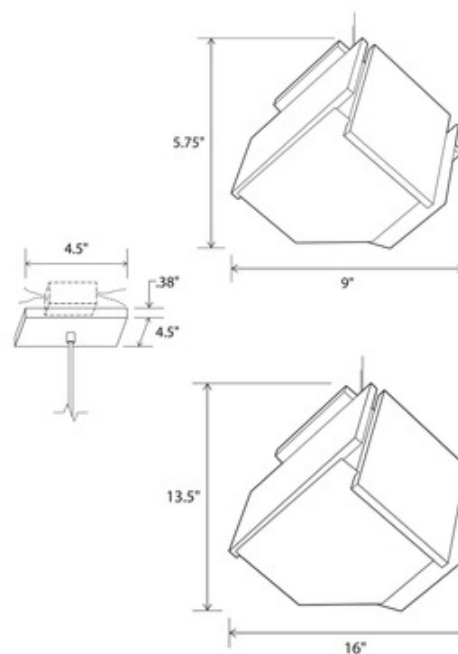
Shown in: Brushed Aluminum / Dark Stained Walnut

SHADE COLOR	Dark Stained Walnut
BODY FINISH	Brushed Aluminum
WATTAGE	13W
DIMMER	Low Voltage Electronic
DIMENSIONS	16"W x 13.5"H
INTEGRATED LED MODULE	
LAMP	1 x LED/13W/120-277V LED

Technical Information

LUMINOUS FLUX	1250 lumens
LUMENS/WATT	96.15
LAMP COLOR	2700K
COLOR RENDERING	90 CRI

SPEC # CER157278



COMPANY	PROJECT	FIXTURE TYPE	APPROVED BY	DATE