



**BRAND**

Cerno

**DESCRIPTION**

The Abeo LED Pendant was created from a simple geometric sculpture that lets light inside and sneak out through the floating walnut planes creating a playful contrast of light and shadow that makes this fixture such a dynamic piece. Available with a White finish complemented by an Oiled Walnut or Dark Stained Walnut shade and frosted polymer diffuser. 2700K and 3500K color temperature options available. Space must be allowed in junction box for LED driver. UL and cUL listed. Made in the USA. Prop 65.



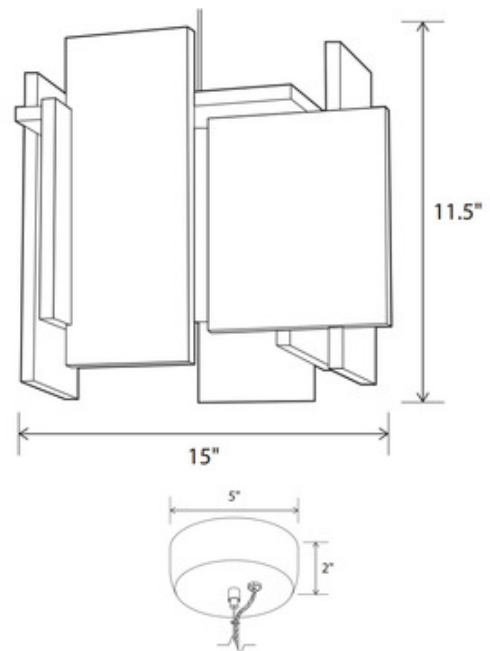
*Shown in: Brushed Aluminum / Oiled Walnut*

<b>SHADE COLOR</b>	Oiled Walnut
<b>BODY FINISH</b>	Brushed Aluminum
<b>WATTAGE</b>	13W
<b>DIMMER</b>	Low Voltage Electronic
<b>DIMENSIONS</b>	15"W x 11.4"H x 15"D
<b>INTEGRATED LED MODULE</b>	
<b>LAMP</b>	1 x LED/13W/120V LED

*Technical Information*

<b>LUMINOUS FLUX</b>	1250 lumens
<b>LUMENS/WATT</b>	96.15
<b>LAMP COLOR</b>	2700K
<b>COLOR RENDERING</b>	90 CRI

**SPEC #** CER157281



COMPANY	PROJECT	FIXTURE TYPE	APPROVED BY	DATE