



DESIGNER

Joana Bover

BRAND

Bover

### DESCRIPTION

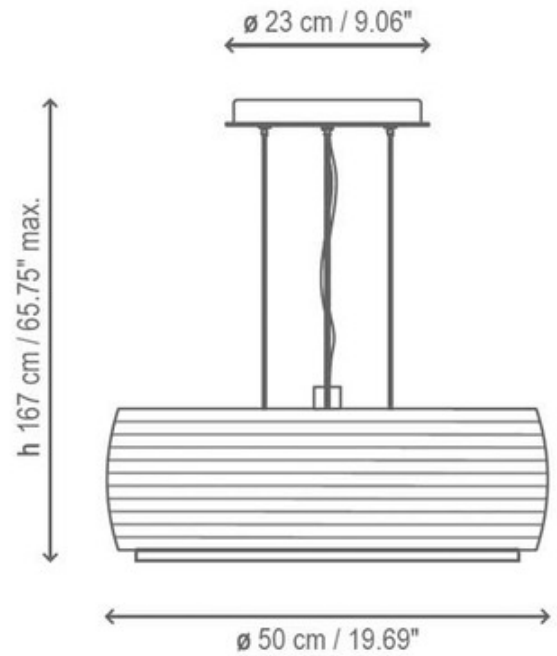
The Inari Pendant offers a versatile design, featuring an Opal crystal rounded drum shade that is sandblasted to give a frosted appearance to the glass, paired with a Nickel or Chrome finished frame. CE and ETL listed.



SHADE COLOR	Opal
BODY FINISH	Nickel
WATTAGE	180W
DIMMER	Standard 120V
DIMENSIONS	19.7"W x 65.75"H
BULB NOT INCLUDED	
LAMP	3 x A15/Medium (E26)/60W/120V Incandescent

SPEC #

BOV159168



COMPANY

PROJECT

FIXTURE TYPE

APPROVED BY

DATE