



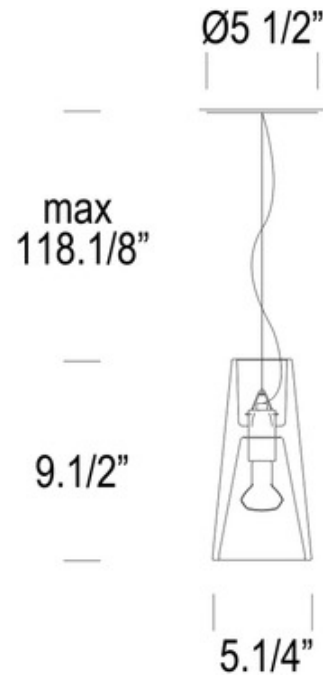
DESIGNER R. Toso & N. Massari & Associates
BRAND Leucos

DESCRIPTION

The Kon is a small scale, multi-purpose pendant available with a clear glass diffuser designed by Toso, Massari & Associates in 2001. The Kon Pendant is perfect for residential or contract applications as light source provides downward illumination and accents the clarity of the glass and design. Available with a Chrome or White finish. Comes with 9.8 feet of cable to customize length. ETL Listed.



SHADE COLOR	Transparent
BODY FINISH	Chrome
WATTAGE	40W
DIMMER	Standard 120V
DIMENSIONS	118.125"L x 5.25"W x 9.5"H
BULB NOT INCLUDED	
LAMP	1 x R50/E14 (European)/40W/120V Incandescent
SPEC #	LEU1746



COMPANY	PROJECT	FIXTURE TYPE	APPROVED BY	DATE