



BRAND

Besa Lighting

DESCRIPTION

The Tay Tay Wall Light features assorted glass options with a Bronze or Satin Nickel finish. Can be mounted as an uplight or a downlight. 40 watt, 120 volt JCD G9 base bulbs are required but not included. 5 inch width x 7.75 inch height x 5.5 inch depth. UL listed. Suitable for interior damp locations.

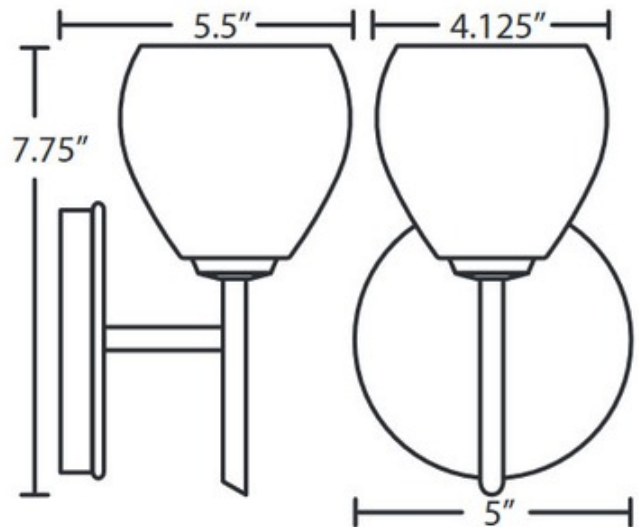


Shown in: Satin Nickel / Opal Matte

SHADE COLOR	Opal Matte
BODY FINISH	Satin Nickel
WATTAGE	40W
DIMMER	Standard 120V
DIMENSIONS	5"W x 7.75"H x 5.5"D
BULB INCLUDED	
LAMP	1 x JCD/G9/40W/120V Halogen

SPEC #

BES180081



COMPANY

PROJECT

FIXTURE TYPE

APPROVED BY

DATE