



**DESIGNER**

George Nelson

**BRAND**

Herman Miller

**DESCRIPTION**

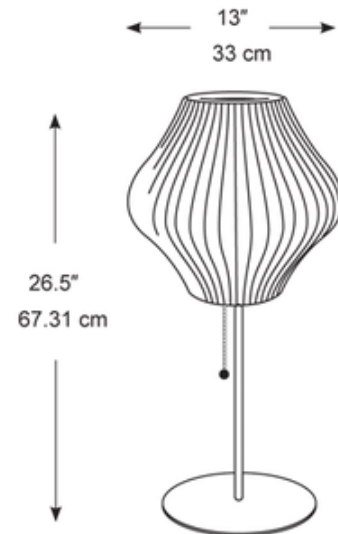
Nelson Bubble Lamps designed by George Nelson produced by Herman Miller. The George Nelson Bubble Lamp Pear® Lotus Table Lamp is a modern classic solidly constructed of steel available in Brushed Nickel with a Brushed Nickel base or Brushed Nickel with a Walnut base. Shade is constructed of a taut White plastic coating over a steel wire frame. Lamp is built with an 8 inch steel base, 86 inches of cord, and an easy to use on/off pull chain with a solid walnut ball end cap.



*Shown in: Brushed Nickel / White*

<b>SHADE COLOR</b>	White
<b>BODY FINISH</b>	Brushed Nickel
<b>WATTAGE</b>	150W
<b>DIMMER</b>	N/A
<b>DIMENSIONS</b>	13"W x 26.5"H
<b>BULB NOT INCLUDED</b>	
<b>LAMP</b>	1 x A21/Medium (E26)/150W/120V Incandescent 1 x A21/Medium (E26)/120V LED

**SPEC #** GNL182333



COMPANY	PROJECT	FIXTURE TYPE	APPROVED BY	DATE