



BRAND

Visual Comfort Modern

DESCRIPTION

Stratton LED Pendant is the ultimate marriage of industrial design and modern elegance with its hand-blown glass shade in Smoke or Clear ending with a decorative metal housing garnished with a riveted canvas detail. Finish available in Gray or Black. Available in two sizes. The light source is hidden inside the metal cap leaving the beautiful, transparent Italian glass left uninterrupted. A hexcell louver sits below the light source to eliminate glare when viewed from below. ETL listed. Dimensions: Small: 10.6 inch diameter x 9.2 inch height x 72 inch field adjustable cloth suspension cord to match finish option. Includes 15 watt replaceable LED module, 3000K color temperature, 975 lumens. Large: 22.4 inch diameter x 17.6 inch height x 72 inch field adjustable cloth suspension cord to match finish option. Includes 22 watt replaceable LED module, 3000K color temperature, 1400 lumens. Includes 4.5 inch round canopy. LED version dimmable with low voltage electronic dimmer.

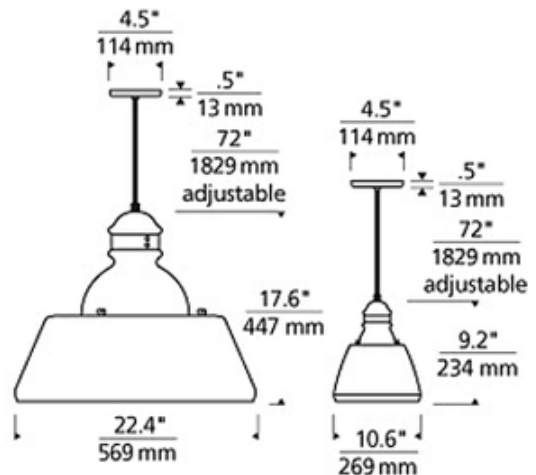


SHADE COLOR	Clear
BODY FINISH	Gray
WATTAGE	15W
DIMMER	Low Voltage Electronic
DIMENSIONS	10.6"W x 9.2"H
INTEGRATED LED MODULE	
LAMP	1 x LED/15W/120V LED

Technical Information

LAMP COLOR	2700K
-------------------	-------

SPEC # TLG183012



COMPANY	PROJECT	FIXTURE TYPE	APPROVED BY	DATE