

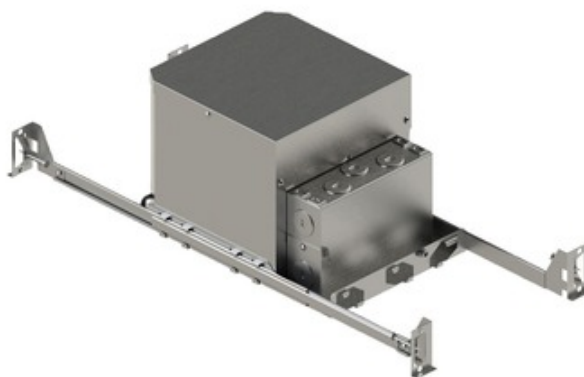


**BRAND**

Eurofase

**DESCRIPTION**

3.25 Inch MR16 GU10 120 Volt IC New Construction Housing can be used in any ceiling where there is insulation. This housing incorporates a box which creates an air space between the inner fixture and the insulation and allows for the housing to be in direct contact with insulation. Unless there is access from above via the attic, the size of the box makes insulated housings suitable only for new construction applications. One 50 watt, 120 volt MR16 type GU10 base bulb (or LED equivalent) is required, but not included. Halogen dimmable with a standard incandescent dimmer, sold separately. Consult with bulb manufacturer for dimmer compatibility when using LED equivalent. ETL listed. 9 inch width x 12.63 inch length x 7.75 inch height. A complete fixture includes a housing and trim, sold separately.

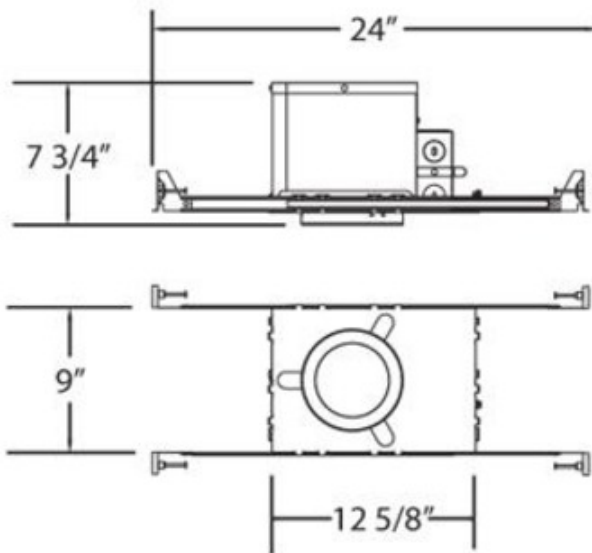


<b>TRIM COLOR</b>	N/A
<b>BODY FINISH</b>	Aluminum
<b>WATTAGE</b>	50W
<b>DIMMER</b>	Dimmable
<b>DIMENSIONS</b>	12.63"L x 9"W x 7.75"H
<b>BULB NOT INCLUDED</b>	
<b>LAMP</b>	1 x MR16/GU10/50W/120V Halogen 1 x MR16/GU10/120V LED

*Technical Information*

<b>CEILING TYPE</b>	Drywall with Trim
<b>HOUSING TYPE</b>	New construction IC
<b>HOUSING HEIGHT</b>	8"
<b>APERTURE SIZE</b>	3.250"

**SPEC #** EUF184746



COMPANY	PROJECT	FIXTURE TYPE	APPROVED BY	DATE