



BRAND

Eurofase

DESCRIPTION

Slot Aperture Round 4 inch Trim in White or Satin Nickel allows adjustability of the light beam with minimal visibility of the fixture on the ceiling surface. Vertically adjustable 0 to 15 degree and rotates 360 degrees within the housing. One 50 watt, 12 volt MR16 type GU5.3 base halogen or 50 watt, 120 volt MR16 type GU10 base bulb (or LED equivalent) is required, but not included. Lamp type dependent on housing/trim combination. ETL listed. 5 inch width x 2.125 inch height. A complete fixture includes a housing and trim, sold separately.

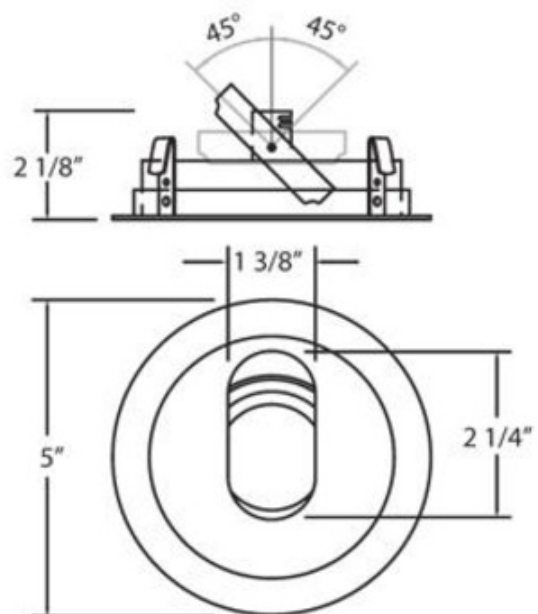


TRIM COLOR	N/A
BODY FINISH	White
WATTAGE	7W
DIMMER	Dimmable
DIMENSIONS	5"W x 2.125"H
BULB NOT INCLUDED	
LAMP	1 x MR16/GU5.3 (bipin)/7W/12V LED 1 x MR16/GU10/50W/120V Halogen 1 x MR16/GU10/120V LED

Technical Information

FUNCTION	Downlight
CEILING TYPE	Drywall with Trim
APERTURE SHAPE	Slot
APERTURE SIZE	2.250"

SPEC # EUF184754



COMPANY	PROJECT	FIXTURE TYPE	APPROVED BY	DATE