



**BRAND**

Lightolier by Signify

**DESCRIPTION**

1000LVR Lytecaster 5 Inch Low Voltage MR16 Non-IC Remodel Frame-In Kit is made of 20 gauge galvanized steel and will accommodate existing ceilings up to 2 inches thick. Non-IC designation requires that insulation be kept a minimum of 3 inches away from housing. Includes outboard magnetic low voltage transformer, removable from below. UL listed. Suitable for damp locations. 13.25 inch width x 5.5 inch depth. Overall height dependent on selected trim option. Lamp type and wattage dependent on frame-in kit/trim combination. A complete fixture includes a frame-in kit and a trim kit, sold separately. Dimmable with a low voltage magnetic dimmer if used with a halogen MR16 lamp.

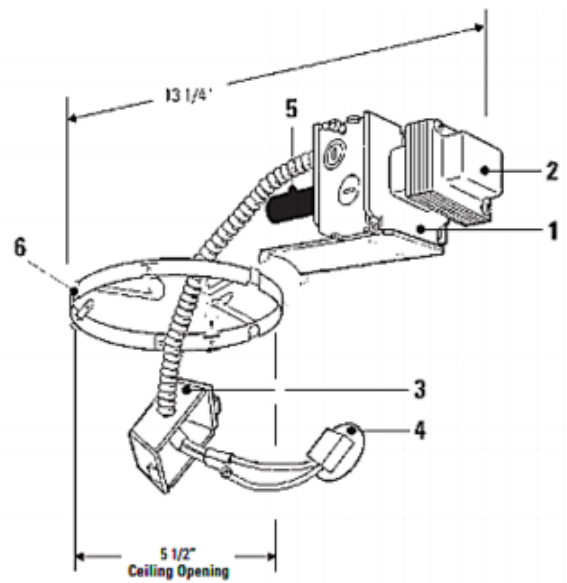


<b>TRIM COLOR</b>	N/A
<b>BODY FINISH</b>	Galvanized Steel
<b>WATTAGE</b>	75W
<b>DIMMER</b>	Dimmable
<b>DIMENSIONS</b>	13.25"W x 5.5"D
<b>BULB NOT INCLUDED</b>	
<b>LAMP</b>	1 x MR16/GU5.3 (bipin)/75W/12V Halogen 1 x MR16/GU5.3 (bipin)/12V LED

*Technical Information*

<b>CEILING TYPE</b>	Drywall with Trim
<b>HOUSING TYPE</b>	Remodel NON IC
<b>HOUSING HEIGHT</b>	4"
<b>APERTURE SIZE</b>	5.000"

**SPEC #** LTL18965



COMPANY	PROJECT	FIXTURE TYPE	APPROVED BY	DATE