

Lytecaster 2000AIC 3.75 In AirSeal IC Frame-In Kit 120V



Description:

2000AIC Lytecaster 3.75 Inch Aperture Incandescent Insulated Ceiling, AirSeal Frame-In Kit is made of aluminum and galvanized steel and can be used for direct contact with thermal insulation. AirSeal housing minimizes air leakage and reduces heat loss and condensation on ceiling. Accommodates all ceilings up to 1 inch thick. 3 11/16 inch ceiling cut out. 9 5/8 inch length x 7.5 inch width x 5.5 inch height. UL listed. Suitable for damp locations. Lamp type and wattage dependent on trim kit and frame-in kit combination per attached manufacturer spec sheet. A complete fixture includes a frame-in kit and trim kit, sold separately.

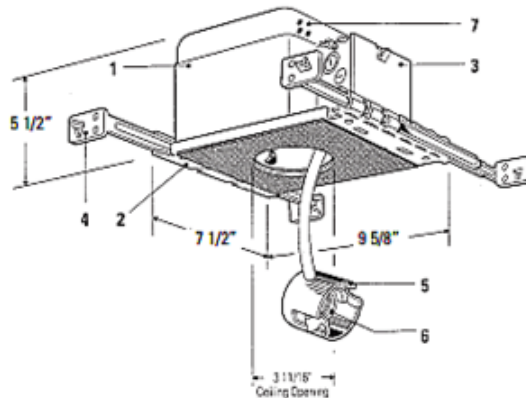
Shown in: Aluminum

List Price: \$69.86
 Our Price: \$41.92

Shade Color: N/A
 Body Finish: Aluminum
 Lamp:
 1 x PAR20/Medium (E26)/50W/120V Halogen
 1 x PAR16/Medium (E26)/120V LED
 1 x PAR20/Medium (E26)/120V LED
 1 x R20/Medium (E26)/120V Incandescent
 1 x R20/Medium (E26)/120V LED
 1 x PAR16/GU10/120V Halogen

Wattage: 50W
 Dimmer: Dimmable
 Dimensions: 9.6" L x 5.5" H x 7.5" W
 Ceiling type: Drywall with Trim

Housing Type: New construction IC Airtight
 Housing Height: 6"
 Aperture Size: 0.000"
 Product Dimensions: 3.69 inch ceiling cutout



| | | | |
|---------------------------------|--|---------------|--------------------|
| Product Number: LTL19219 | | | |
| Company: | | Fixture Type: | Date: Apr 26, 2018 |
| Project: | | Approved By: | |