

Lytecaster 2002P1 3.75 In Non-IC Enclosed Frame-In Kit 120V



**Description:**

Lytecaster 2000P1 3.75 Inch Non-IC Enclosed Frame-In Kit is made of aluminum and galvanized steel and will accommodate existing ceilings up to 1 inch thick. Non-IC designation requires that insulation must be kept a minimum of 3 inches away from housing. UL listed. Suitable for damp locations. 9 5/8 inch length x 7.5 inch width x 5.25 inch height. Lamp type and wattage dependent on trim kit and frame-in kit combination per attached manufacturer spec sheet. A complete fixture includes a frame-in kit and a trim kit, sold separately.

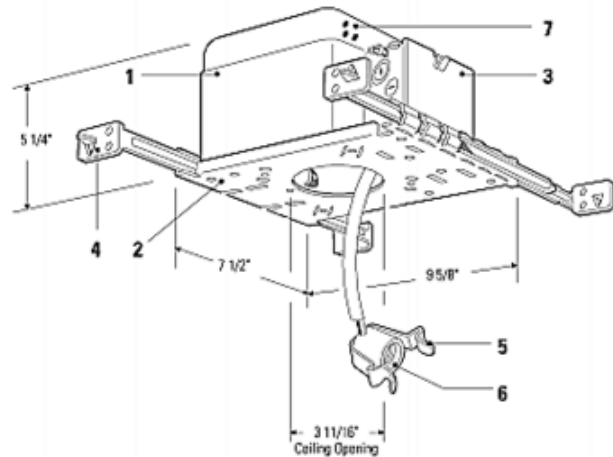
Shown in: Aluminum

List Price: \$73.06  
 Our Price: \$43.84

- Shade Color: N/A
- Body Finish: Aluminum
- Lamp:
  - 1 x PAR20/Medium (E26)/50W/120V Halogen
  - 1 x A19/Medium (E26)/120V Incandescent
  - 1 x A19/Medium (E26)/120V LED
  - 1 x PAR16/Medium (E26)/120V Halogen
  - 1 x PAR16/Medium (E26)/120V LED
  - 1 x PAR20/Medium (E26)/120V Halogen
  - 1 x PAR20/Medium (E26)/120V LED
  - 1 x R20/Medium (E26)/120V Incandescent
  - 1 x R20/Medium (E26)/120V LED

**Technical Information**

- Ceiling Type: Drywall with Trim
- Wattage: 50W
- Housing Type: New Construction NON IC
- Dimmer: Dimmable
- Mounting Height: 5.25" x 5.25"H x 7.5"W
- Aperture Size: 0.000"



Product Number: <b>LTL19225</b>			
Company:		Fixture Type:	Date: Apr 20, 2018
Project:		Approved By:	