

Lytespan Alcyon Enclosed Step Spot MR16 Track Head



SHOWN IN METALLIC ALUMINUM

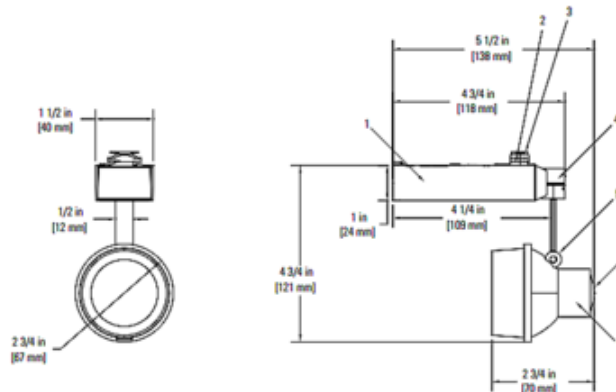
Shown in: Matte White

List Price: \$266.22
Our Price: \$159.73

Shade Color: N/A
Body Finish: Matte White
Lamp: 1 x MR16/GU5.3 (bipin)/50W/12V Halogen
 1 x MR16/GU5.3 (bipin)/12V LED
Wattage: 50W
Dimmer: Low Voltage Electronic
Dimensions: 4.75"L x 2.75"W x 2.75"D

Description:

Alcyon Enclosed Step Spot MR16 track head features a wireless stem profile with infinite horizontal rotation and 0-90 degree vertical adjustment. Made of die-cast aluminum in Matte White, Matte Black or Metallic Aluminum finish. Includes 12 volt Class 2 compact electronic transformer inside molded polycarbonate housing and glass shield for use with unshielded lamps. One 50 watt, 12 volt GU5.3 MR16 halogen lamp is required, but not included. UL listed. 2.75 inch diameter x 2.75 inch depth x 4.75 inch length. Compatible with Lytespan Basic 1-circuit, Advent 1 or 2 circuit, and Radius 1-circuit track systems.



Product Number: LTL 19298			
Company:		Fixture Type:	Date: Apr 20, 2018
Project:		Approved By:	

#1224LY-STEPSPT-003H1-OOWH

Fax: (773) 883-6131

Phone: 866-954-4489

Address: 1718 W. Fullerton Ave. Chicago IL 60614

www.Lightology.com