



BRAND

WAC Lighting

DESCRIPTION

Tesla 2 Inch LED New Construction IC Airtight Housing and junction box is made of 20 gauge steel with frame and hanger bars in heavy gauge galvanized steel. Suitable for direct contact with insulation. Seven knockouts and four Romex style wiring connectors provided for ease of installation. Supplied with hanger bars adjustable from 14.5 to 24.5 inches including a captive mounting screw nail. Accommodates surfaces from .50 to .75 inch thickness. Rated for branch wiring. Includes electronic driver, 120V AC 50/60Hz input, 14.5 watt output. 3 7/8 inch cut out. UL listed. May be dimmed to 15 percent with an electronic low voltage dimmer, or 10 percent with a 0-10V dimmer, sold separately. ETL listed. 5 year product warranty. Dimensions: 13.25 inch width x 10.1 inch depth x 5.5 inch height. A complete fixture consists of a housing and trim, sold separately.

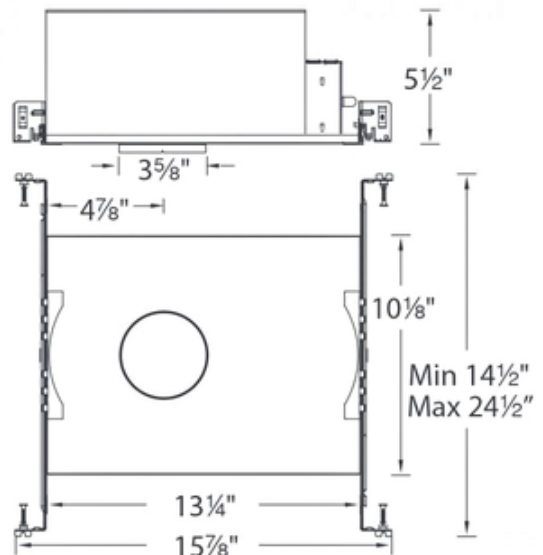


TRIM COLOR	N/A
BODY FINISH	Galvanized Steel
WATTAGE	14.5W
DIMMER	Dimmable
DIMENSIONS	13.25"W x 5.5"H x 10.1"D
INTEGRATED LED MODULE	
LAMP	1 x LED/14.5W/120V LED

Technical Information

COLOR RENDERING	85 CRI
CEILING TYPE	Drywall with Trim
HOUSING TYPE	New construction IC Airtight
HOUSING HEIGHT	6"

SPEC # WAC196544



COMPANY	PROJECT	FIXTURE TYPE	APPROVED BY	DATE