



BRAND

WAC Lighting

DESCRIPTION

Tesla 2 Inch LED Remodel Non IC Airtight Housing and junction box is made of 20 gauge steel with frame and hanger bars in heavy gauge galvanized steel. Insulation must be kept at least 3 inches away from housing. Three knockouts and three Romex style wiring connectors provided for ease of installation. Accommodates surfaces from .50 to 1 inch thickness. Rated for branch wiring. Includes electronic driver, 120-277VAC input, 14.5 watt output. 3 7/8 inch cut out. 120 Volt may be dimmed to 15 percent with an electronic low voltage dimmer, and 120-277 Volt may be dimmed to 10 percent with a 0-10V dimmer, sold separately. ETL listed. 5 year product warranty. Dimensions: 13.75 inch width x 3.6 inch depth x 5.9 inch height. A complete fixture consists of a housing and trim, sold separately.

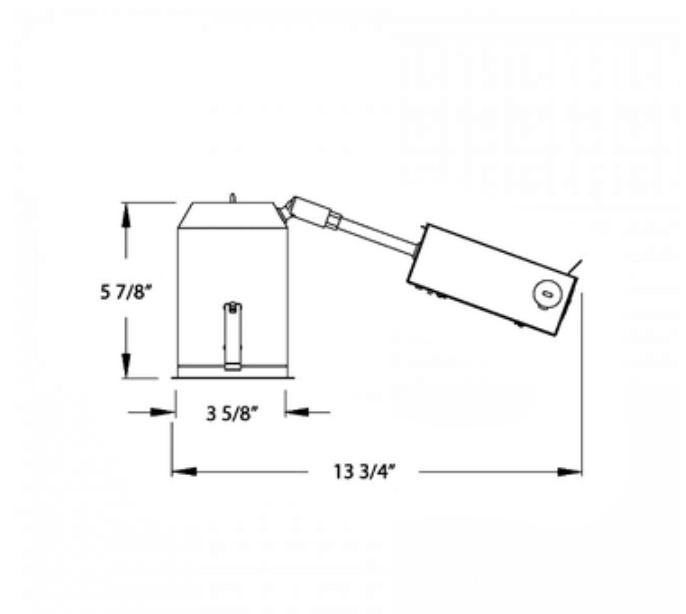


TRIM COLOR	N/A
BODY FINISH	Galvanized Steel
WATTAGE	29W
DIMMER	Dimmable
DIMENSIONS	13.75"W x 5.9"H x 3.6"D
INTEGRATED LED MODULE	
LAMP	2 x LED/14.5W/120V LED

Technical Information

COLOR RENDERING	85 CRI
CEILING TYPE	Drywall with Trim
HOUSING TYPE	Remodel NON IC
HOUSING HEIGHT	6"

SPEC # WAC196546



COMPANY	PROJECT	FIXTURE TYPE	APPROVED BY	DATE