

# Lytespan 8201 Par-Tech Low Profile Track Head



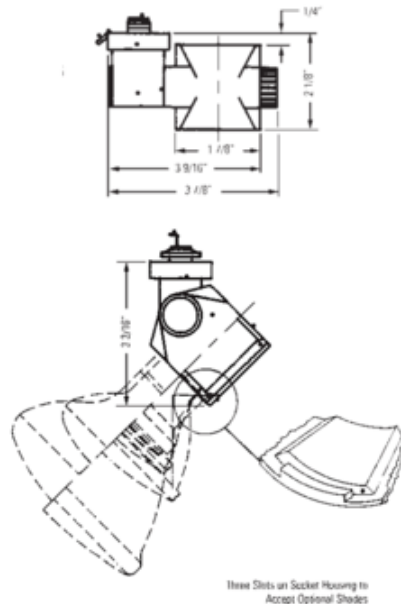
**Description:**

Lytespan Par-Tech Low Profile track head is designed specifically for PAR lamps. Made of die-cast aluminum and vented for cool operation. Finish available in Matte White or Matte Black. One R20, R30, PAR16, PAR20, PAR30 or PAR38 medium base lamp is required, but not included. Incandescent and halogen dimmable with a standard incandescent dimmer. UL listed. 2.1 inch diameter x 3.1 inch length. Requires an accessory shade, sold separately. Compatible with Lytespan Basic 1-circuit, Advent 1 or 2 circuit, and Radius 1-circuit track systems. Requires shade accessory, sold separately.

Shown in: Matte White

List Price: \$112.40  
 Our Price: \$67.44

- Shade Color: N/A
- Body Finish: Matte White
- Lamp:
  - 1 x PAR38/Medium (E26)/150W/120V Halogen
  - 1 x PAR16/Medium (E26)/75W/120V Halogen
  - 1 x PAR20/Medium (E26)/50W/120V Halogen
  - 1 x R20/Medium (E26)/75W/120V Incandescent
  - 1 x R30/Medium (E26)/100W/120V Incandescent
  - 1 x PAR38/Medium (E26)/120V LED
  - 1 x PAR16/Medium (E26)/120V LED
  - 1 x PAR30S/Medium (E26)/75W/120V Halogen
  - 1 x PAR30S/Medium (E26)/120V LED
  - 1 x PAR20/Medium (E26)/120V LED
  - 1 x R20/Medium (E26)/120V LED
- Wattage: 150W
- Dimmer: Incandescent



Product Number: <b>LTL 19968</b>			
Company:		Fixture Type:	Date: Mar 22, 2018
Project:		Approved By:	

#1224TR-8201-XXXXX-OOWH

Fax: (773) 883-6131

Phone: 866-954-4489

Address: 1718 W. Fullerton Ave. Chicago IL 60614

www.Lightology.com