

Lytespan 8227 Par-Tech PAR20 Bezel Shade



SHOWN WITH TRACK HEAD (SOLD SEPARATELY)

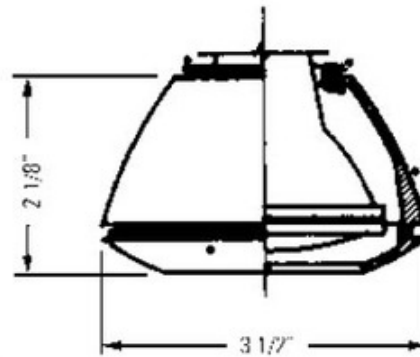
Description:

Lytespan Par-Tech PAR20 Bezel Shade Track Head features is available in matte white and matte black. Shade only, track head has to be purchased separately. For use with 8201 Par-Tech Low Profile track head. One 50 watt, 120 volt, PAR20 lamp, not included. Shade Attachment: Zinc plated and painted C.R. steel. Bayonet fitting. 2. Shade: Single piece die-cast aluminum. 3. Front Bezel: high temperature ULTEM. Integral color, helps remove extraneous spill light. 4. Rear Vents: aligns with adapter's vents for effective air circulation. 5. Color Accent Ring: silicone rubber. (Removable).

Shown in: Matte White

List Price: \$91.61
 Our Price: \$54.97

Shade Color: N/A
 Body Finish: Matte White
 Lamp: 1 x PAR20/Medium (E26)/50W/120V Halogen
 1 x PAR20/Medium (E26)/120V LED
 Wattage: 50W
 Dimmer: Incandescent
 Dimensions: 5"L x 3.5"W



Product Number: LTL19971			
Company:		Fixture Type:	Date: Apr 20, 2018
Project:		Approved By:	

#1224LY-BEZEL20-004H1-OOWH

Fax: (773) 883-6131

Phone: 866-954-4489

Address: 1718 W. Fullerton Ave. Chicago IL 60614

www.Lightology.com