

# Radius Track 9151 T Feed Connector



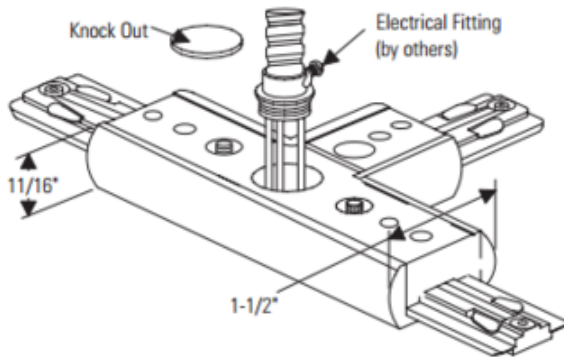
**Description:**

The Radius T Feed Connector is used to create a T pattern with Radius track. Available in Matte White or Matte Black finish. Power may be fed into the connector using a standard 3/8 inch trade size electrical fitting or from a 4 inch octagon outlet box using a Junction Box Cover (9060). The connector is not polarized and not pre-wired. Four 12 gauge jumper wires are included to make all necessary connections. Each leg of the connector has two screw terminals for connecting the wires. The legs may be un-wired and used as a dead end. Do not use the T connector as a conduit support. A separate support for the conduit must be used.

Shown in: Matte Black

List Price: \$62.02  
 Our Price: \$37.21

Shade Color: N/A  
 Body Finish: Matte White  
 Lamp: N/A  
 Wattage: N/A  
 Dimmer: N/A  
 Dimensions: N/A



|                                 |  |               |                    |
|---------------------------------|--|---------------|--------------------|
| Product Number: <b>LTL20015</b> |  |               |                    |
| Company:                        |  | Fixture Type: | Date: Apr 24, 2018 |
| Project:                        |  | Approved By:  |                    |

#1224TR-9151-XXXX-OOWH

Fax: (773) 883-6131

Phone: 866-954-4489

Address: 1718 W. Fullerton Ave. Chicago IL 60614

www.lightology.com