

1012 Composite Beacon



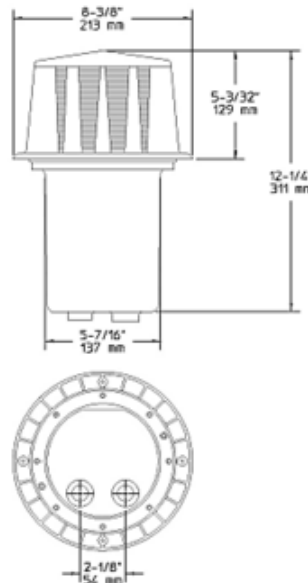
Description:

1012 Beacon features a one piece injection molded polyester resin housing with removable roof for easy relamping. Molded silicone gasket seals glass, top and bottom, and prevents moisture intrusion into the fixture. Base has two .5 inch NPT conduit entrances for connection to the power source. Composite is textured, pressure formed in Bronze finish. Clear borosilicate glass refractor lens. One 100 watt 120 volt A-type medium base lamp is required, but not included. 8.4 inch diameter x 12.25 inches high. ETL listed for wet locations.

Shown in: Bronze

List Price: \$437.05
 Our Price: \$262.23

Shade Color: N/A
 Body Finish: Bronze
 Lamp: 1 x A19/Medium (E26)/72W/120V Incandescent
 1 x A19/Medium (E26)/120V LED
 Wattage: 72W
 Dimmer: Incandescent
 Dimensions: 12.25"H x 8.4"W



Product Number: HAD21562			
Company:		Fixture Type:	Date: Mar 22, 2018
Project:		Approved By:	

Fax: (773) 883-6131

Phone: 866-954-4489

Address: 1718 W. Fullerton Ave. Chicago IL 60614

www.Lightology.com