



BRAND

Hadco by Signify

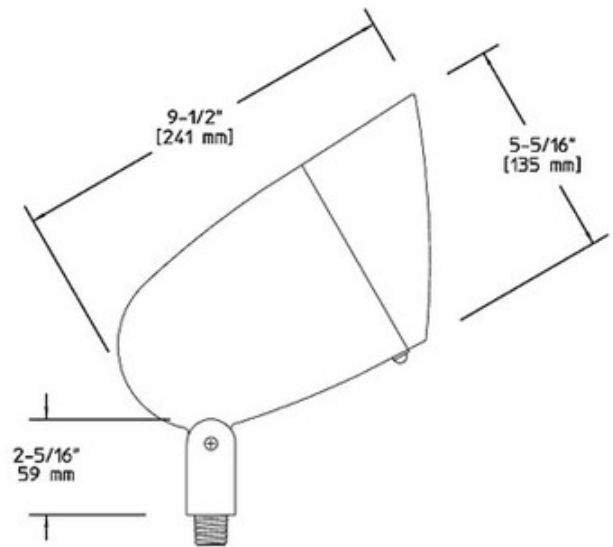
DESCRIPTION

B3 Aluminum Bullyte is fabricated from die cast aluminum featuring a fully adjustable swivel arm with vibration proof locking teeth. Gasketing is silicone. Fully rotatable shroud, gasketed, cast aluminum. .50 inch NPS male threads to screw onto accessory mounting stake or junction box, sold separately. Thermoset polyester powdercoat finish in Black, Bronze or Verde. Clear tempered glass affixed at 10 degree angle for natural cleaning. One 100 watt, 120 volt PAR30 lamp is required, but not included.



Shown in: Black

SHADE COLOR	N/A
BODY FINISH	Black
WATTAGE	100W
DIMMER	Standard 120V
DIMENSIONS	5.3"W x 9.5"D
BULB NOT INCLUDED	
LAMP	1 x PAR30/Medium (E26)/100W/120V Halogen



SPEC #

HAD21605

COMPANY

PROJECT

FIXTURE TYPE

APPROVED BY

DATE