



BRAND

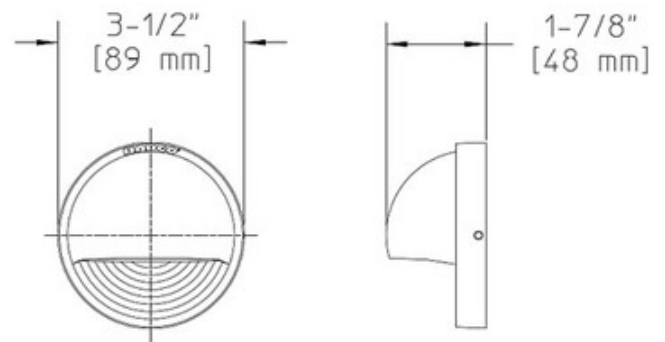
Hadco by Signify

DESCRIPTION

DAL1 Halogen Wall Mount Decklyte features a body and mounting plate made of cast aluminum construction in thermoset polyester powdercoat Bronze or Black finish. Stainless steel fasteners. Frosted annealed glass lens with reflector in a stamped hammertone aluminum. Includes one 12 volt, 10 watt JC G4 bipin halogen lamp. Pre-wired with a 6 foot pigtail of 18-2 AWG wire. Includes low voltage quick connector LVC3 for easy hook up to the low voltage supply cable, sold separately. 3.5 inch diameter x 1.9 inch depth. ETL listed for wet locations. 5 year limited warranty. Requires 12 volt remote transformer, sold separately.



SHADE COLOR	N/A
BODY FINISH	Verde
WATTAGE	10W
DIMMER	Dimmable
DIMENSIONS	3.5"W x 1.9"D
BULB INCLUDED	
LAMP	1 x JC/G4 (bipin)/10W/12V Halogen



SPEC # HAD21625

COMPANY	PROJECT	FIXTURE TYPE	APPROVED BY	DATE