

SRL4 Aluminum Wall Mount Decklyte



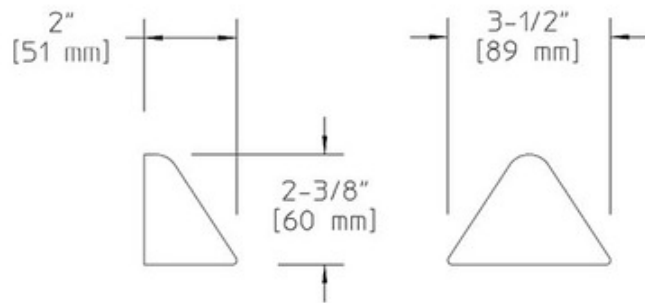
Description:

SRL4 Aluminum Wall Mount Decklyte is fabricated from die-cast aluminum with thermoset polyester powdercoat finish in Black, White, Verde or Bronze. Includes one 10 watt T3.25 wedge base xenon lamp. Pre-wired with a 6 foot pigtail of 18-2 AWG wire. Includes low voltage quick connector LVC3 for easy hook up to the low voltage supply cable not included. 3.5 inches wide x 2.4 inches high x 2 inches deep. ETL listed for wet locations. Requires remote transformer not included.

Shown in: Black

List Price: \$60.05
 Our Price: \$36.03

Shade Color: N/A
 Body Finish: Black
 Lamp: 1 x T3/WEDGE/10W/12V Krypton Xenon
 Wattage: 10W
 Dimmer: Dimmable
 Dimensions: 2.4"H x 3.5"W x 2"D



Product Number: HAD21677			
Company:		Fixture Type:	Date: Apr 20, 2018
Project:		Approved By:	

#0810ES-SRL4-002I1-00BK

Fax: (773) 883-6131

Phone: 866-954-4489

Address: 1718 W. Fullerton Ave. Chicago IL 60614

www.Lightology.com