

UWUL516 Halogen Composite Underwater Fixture



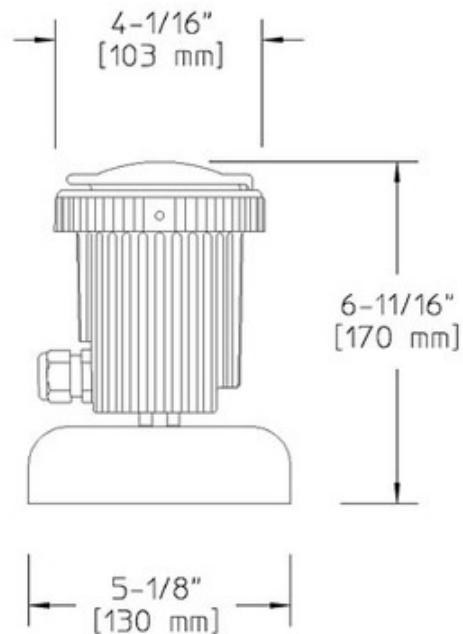
Description:

UWUL516 Composite Underwater Fixture housing is fabricated from one piece injection molded high performance polymer composite. Lens ring is a single piece injection molded high performance polymer with gasketed lens. Twist off operation for ease of maintenance. Clear tempered glass lens. One 50 watt, 12 volt GU5.3 MR16 halogen lamp is required, but not included. Pre-wired with 10 foot STWA water resistant cord. Weighted concrete base with swivel to allow up to 90 degree aiming. 5.1 inch width x 6.68 inch height. ETL listed for wet locations. 3 year limited warranty. Required remote transformer and optional mounting and optical accessories, sold separately.

Shown in: Bronze

List Price: \$170.43
 Our Price: \$102.26

Shade Color: N/A
 Body Finish: Bronze
 Lamp: 1 x MR16/GU5.3 (bipin)/50W/12V Halogen
 1 x MR16/GU5.3 (bipin)/12V LED
 Wattage: 50W
 Dimmer: Dimmable
 Dimensions: 6.68"H x 5.1"W



Product Number: HAD21690			
Company:		Fixture Type:	Date: Apr 22, 2018
Project:		Approved By:	

#0810EU-UWL516-006H1-00BZ

Fax: (773) 883-6131

Phone: 866-954-4489

Address: 1718 W. Fullerton Ave. Chicago IL 60614

www.Lightology.com