

Linear T5 Fluorescent Integral Ballast



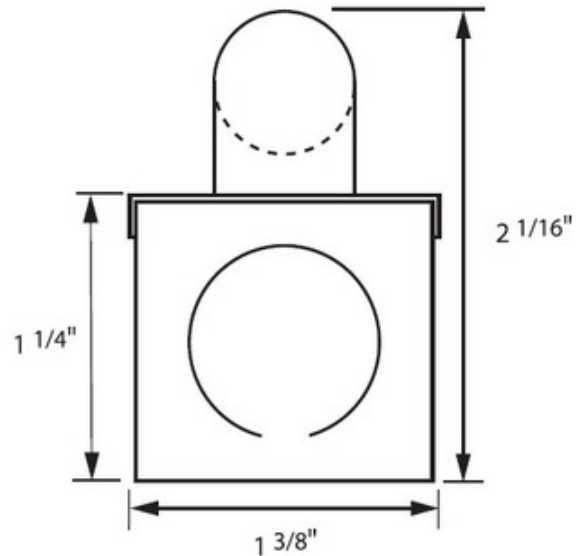
Description:

T5 low profile linear fluorescent architectural fixture with rotational locking lamp holders. High power factor ballast is pre-wired to lamp holders. Corrosion-resistant 20 gauge steel fully assembled housing. High reflectance white powder-coat finish. Available options are dimming ballast, damp location, custom finish, symmetrical, asymmetrical or inside asymmetrical reflector, one or two-piece lens in clear or opaque, tube guard and 6 foot white or black power cord (all sold separately). Also available for 8, 14, 21, 28 and 35 watts (fixture length varies per lamp version.) Integral ballast. General light distribution. UL and cUL listed. Dimensions: 8 watt version is 12 13/16 inches long, 13 watt version is 21 1/4 inches long, 14 watt version is 22 1/2 inches long, 21 watt version is 34 1/4 inches long, 28 watt version is 46 1/16 inches long, 35 watt version is 57 15/16 inches long.

Shown in: Natural / White

List Price: \$111.00
Our Price: \$99.90

Shade Color: White
Body Finish: Natural
Lamp: 1 x T5/T5 Bipin/13W/120V Fluorescent
Wattage: 13W
Dimmer: Not Dimmable
Dimensions: 21.25"L x 2"H x 1.375"W



Product Number: BAR22940			
Company:		Fixture Type:	Date: Apr 23, 2018
Project:		Approved By:	

#0212FC-LPT513-021F1-WHST

Fax: (773) 883-6131

Phone: 866-954-4489

Address: 1718 W. Fullerton Ave. Chicago IL 60614

www.lightology.com