

**DESIGNER**

Philippe Starck

**BRAND**

FLOS

**DESCRIPTION**

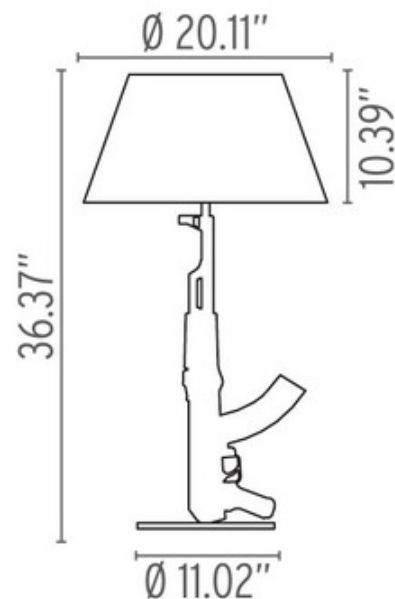
The sleek and edgy Guns Table Lamp makes a statement while doing good; 20% of the collection's sales are donated to Freres des Hommes, a charitable organization dedicated to ending poverty around the world. The body is made of die-cast aluminum with an over-molded polymer coating. On/Off switch and 0-100% dimmer fitted on the cord. Available in Polished 18K Gold with a Matte Black shade silkscreened in Gold on the inside. One 150 watt 120 volt frosted T10 medium base halogen bulb is included. 20.11 inch width x 36.37 inch height.



<b>SHADE COLOR</b>	N/A
<b>BODY FINISH</b>	Gold/ Matte Black
<b>WATTAGE</b>	150W
<b>DIMMER</b>	Included
<b>DIMENSIONS</b>	20.11"W x 36.37"H
<b>BULB INCLUDED</b>	
<b>LAMP</b>	1 x T10/Medium (E26)/150W/120V Halogen

**SPEC #**

FLO23273



COMPANY

PROJECT

FIXTURE TYPE

APPROVED BY

DATE