



DESIGNER

Mariano Fortuny

BRAND

Venetian Designs

DESCRIPTION

The Concubina Imperiale Pendant brings an Oriental vibe to your space. Features Plain Ivory or hand painted Ivory Classic silk panels surrounded by wood and accented with fiery red thread details and brass details on the tassel. Made in Italy. Note: Overall height is not adjustable and must be specified to order. Minimum / Maximum height: 48.38 / 62.25 in.



Shown in: Brass / Ivory Classic Silk

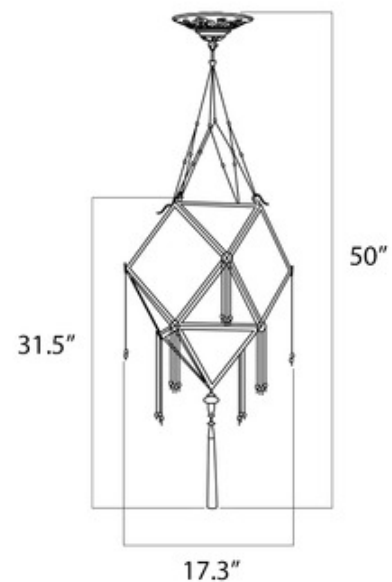
SHADE COLOR	Ivory Classic Silk
BODY FINISH	Brass
WATTAGE	75W
DIMMER	Standard 120V
DIMENSIONS	17.375"W x 50"H
BULB NOT INCLUDED	
LAMP	1 x A19/Medium (E26)/75W/120V Incandescent 1 x A19/Medium (E26)/120V LED

Technical Information

PRODUCT DIMENSIONS	Overall Length: 50"
---------------------------	---------------------

SPEC #

VEN2332



COMPANY

PROJECT

FIXTURE TYPE

APPROVED BY

DATE