



DESIGNER

Mariano Fortuny

BRAND

Venetian Designs

DESCRIPTION

Scheherazade Multi Tier suspension features a pure silk shade, brass structure and a dark brown canopy. Available in hand painted brown geometric, green herbarium, brown floral or an ivory plain silk shade. Available in a 2-tier with one bulb and a 3-tier option with three bulbs. Made in Italy. Note: Overall height is not adjustable and must be specified to order. 2-Tier Minimum / Maximum height: 46 / 71.63 in. 3-Tier Minimum / Maximum height: 53.5 / 74.88 in.



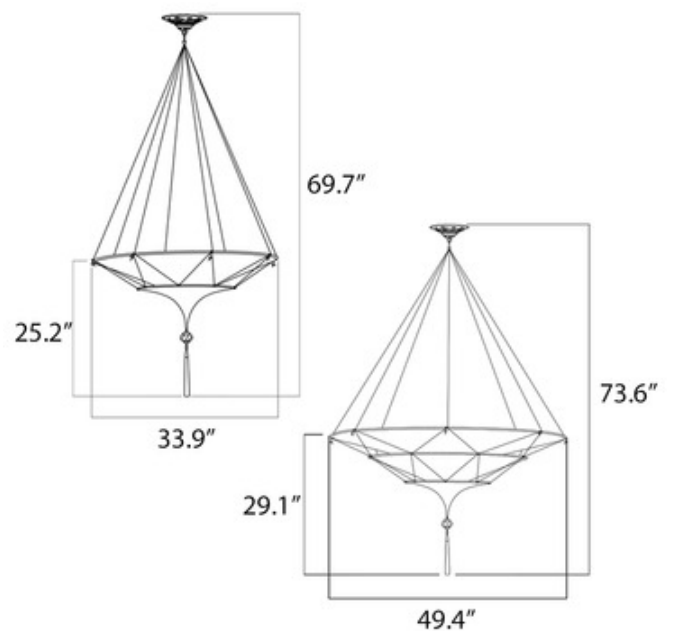
Shown in: Brass / Brown Geometric

SHADE COLOR	Brown Geometric
BODY FINISH	Brass
WATTAGE	300W
DIMMER	Standard 120V
DIMENSIONS	49.4"W x 29.1"H
BULB NOT INCLUDED	
LAMP	3 x A19/Medium (E26)/100W/120V Incandescent 3 x A19/Medium (E26)/120V LED

Technical Information

PRODUCT DIMENSIONS	Maximum Overall Height: 73.6"
---------------------------	-------------------------------

SPEC #	VEN2345
---------------	---------



COMPANY	PROJECT	FIXTURE TYPE	APPROVED BY	DATE