

HR1137 Gimbal Ring Miniature Recessed Task Light



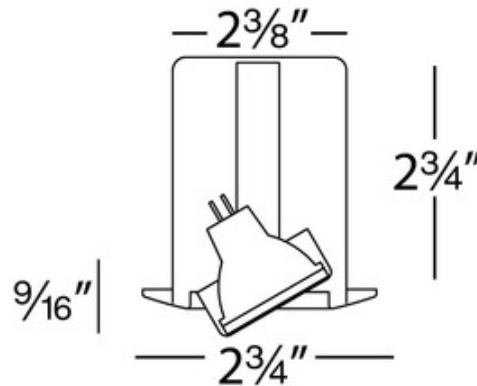
Description:

HR1137 Gimbal Ring Miniature Recessed Task Light unit complete with housing and trim features a low profile and shallow installation depth. Ready to install out of the box. Non-IC for installations where insulating materials will not be present. Trim available in Brushed Nickel, Copper Bronze, Black or White. Includes clear glass lens. Painted black steel housing. Used for lighting in cabinets, displays and similar wooden applications. Not for use in walls or ceilings. 2.6 inch ceiling cut out. Adjustable tilt 35 degrees. Supplied with 36 inch insulated wires. UL listed. Requires one 20 watt 12 volt MR11 halogen lamp and Class II remote transformer, sold separately.

Shown in: Brushed Nickel / Clear

List Price: \$43.06
 Our Price: \$31.00

Shade Color: Clear
 Body Finish: Brushed Nickel
 Lamp: 1 x MR11/Bipin/20W/12V Halogen
 Wattage: 20W
 Dimmer: Dimmable
 Dimensions: 2.75"H x 2.75"W



Product Number: WAC23943			
Company:		Fixture Type:	Date: Apr 20, 2018
Project:		Approved By:	

Fax: (773) 883-6131

Phone: 866-954-4489

Address: 1718 W. Fullerton Ave. Chicago IL 60614

www.lightology.com