



BRAND

WAC Lighting

DESCRIPTION

Low Voltage 2.5IN Remodel Non-IC Housing is to be used with WAC 2.5 inch trims in wood cabinets, displays and similar wooden applications with a remote transformer. Non-IC designation requires a minimum 3 inch clearance on all sides of housing when insulation is present. Housing is 20 gauge galvanized steel. Suitable for mounting surface thickness up to 0.75 inch. One 12 volt GU5.3 MR16 halogen or LED HR-800 series trim. A complete fixture includes a housing, trim and remote transformer, sold separately.

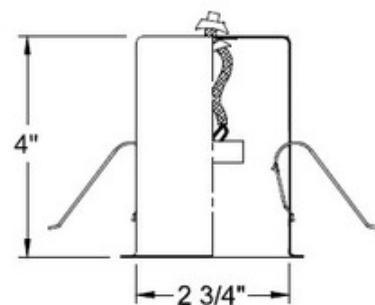


| | |
|--------------------------|-----------------------------------|
| TRIM COLOR | N/A |
| BODY FINISH | Black |
| WATTAGE | 5W |
| DIMMER | N/A |
| DIMENSIONS | 2.75"W x 4"H |
| BULB NOT INCLUDED | |
| LAMP | 1 x MR16/GU5.3 (bipin)/5W/12V LED |

Technical Information

| | |
|-----------------------|----------------|
| FUNCTION | Downlight |
| CEILING TYPE | Wood |
| HOUSING TYPE | Remodel NON IC |
| HOUSING HEIGHT | 4" |
| APERTURE SHAPE | Round |

SPEC # WAC23947



| COMPANY | PROJECT | FIXTURE TYPE | APPROVED BY | DATE |
|---------|---------|--------------|-------------|------|
| | | | | |