

Round Low Voltage Button Light



Description:

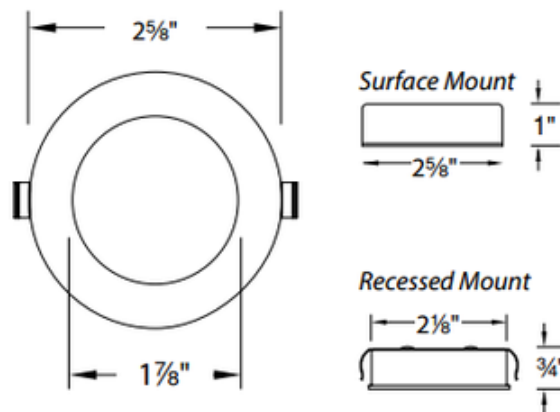
HR-88/ HR-86 Round Low Voltage Button Light can be recessed or surface mounted and offers a low profile and shallow installation depth. Ideal for use in shelves, cabinets and displays. Not recommended for use in ceilings. Finish in Brushed Nickel, Black, White, Copper Bronze, Dark Bronze, or Chrome. Available with Halogen or Xenon lamping. Features a cast aluminum inner housing with a decorative outer steel housing included for surface mounting, if applicable. Cutout template included for recessed installations. 2.4 inch cut out. Supplied with 72 inch wires. UL listed. Suitable for damp locations. Includes one 12 volt 20 watt Xenon or Halogen bulb. Frosted lens accessory available, sold separately. Requires a remote Class 2 electronic transformer, sold separately (one transformer for every 3 lights). Terminal block for multiple connections and frosted lens accessory available, sold separately.

Shown in: Black / Clear

List Price: \$30.56
 Our Price: \$22.00

Shade Color: Clear
 Body Finish: Brushed Nickel
 Lamp: 1 x JC/G4 (bipin)/20W/12V Halogen
 Wattage: 20W
 Dimmer: Dimmable
 Dimensions: 1"H x 2.63"W

Technical Information
 Aperture Size: 0.000"



Product Number: WAC23956			
Company:		Fixture Type:	Date: Apr 25, 2018
Project:		Approved By:	

#2306UC-BUTTON-003H1-OOBN

Fax: (773) 883-6131

Phone: 866-954-4489

Address: 1718 W. Fullerton Ave. Chicago IL 60614

www.Lightology.com