



**BRAND**

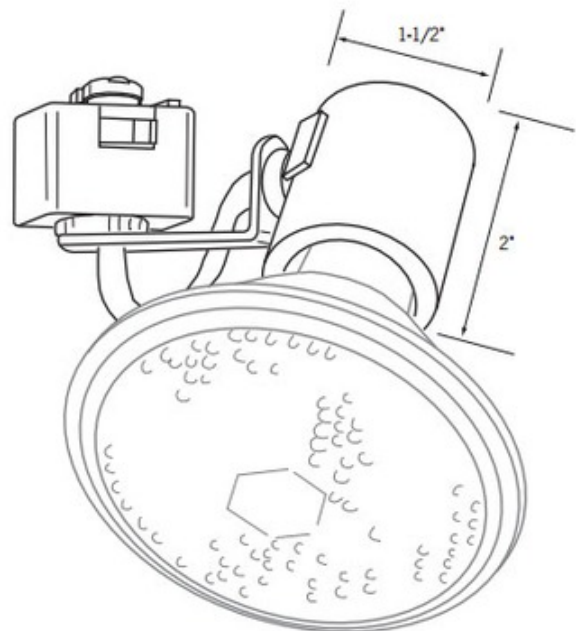
ConTech

**DESCRIPTION**

Line Voltage Universal Lampholder Track Fixture features a side mounted socket bracket design which reduces fixture depth. Sure-Set aiming adjustment holds set position accurately and allows for a full 350 degree rotation. Integral on-off switch and track polarity indicator standard. For use on Contech systems only. Finish available in White or Black with white porcelain socket. One 120 volt, 50 watt PAR20, 75 watt PAR16, 75 watt PAR30, or 250 watt PAR38 medium base lamp is required, but not included. 1.5 inch width x 2 inch height. Suitable for dry locations. UL listed.



<b>SHADE COLOR</b>	N/A
<b>BODY FINISH</b>	White
<b>WATTAGE</b>	50W
<b>DIMMER</b>	Dimmable
<b>DIMENSIONS</b>	1.5"W x 2"H
<b>BULB NOT INCLUDED</b>	
<b>LAMP</b>	<ul style="list-style-type: none"> <li>1 x PAR20/Medium (E26)/50W/120V Halogen</li> <li>1 x PAR38/Medium (E26)/250W/120V Halogen</li> <li>1 x PAR30/Medium (E26)/75W/120V Halogen</li> <li>1 x PAR16/Medium (E26)/75W/120V Halogen</li> <li>1 x PAR16/Medium (E26)/120V LED</li> </ul>



**SPEC #** CNT24241

COMPANY	PROJECT	FIXTURE TYPE	APPROVED BY	DATE