



BRAND

ConTech

DESCRIPTION

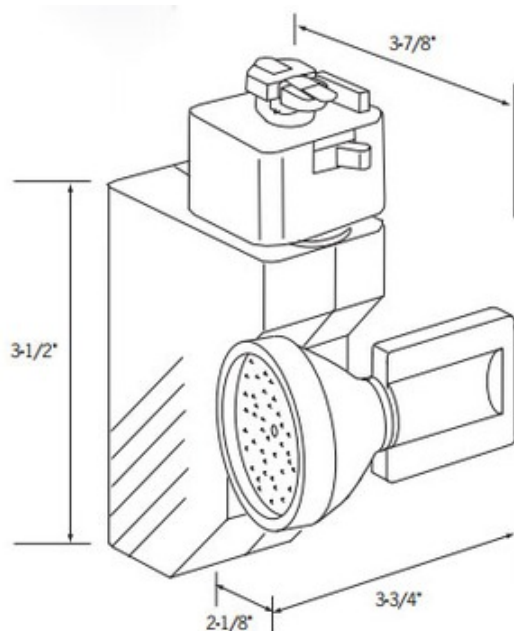
CTL8216 Micro Lyte SlipStream Low Voltage Track Fixture features high tech styling and durable die-cast construction in Black, White or Silver finish. Side mounted to reduce silhouette. Includes transformer and clear, tempered safety glass for use with open lens MR16 lamps. One 50 watt, 12 volt GU5.3 MR16 lamp or LED equivalent is required, but not included. cULus listed. For use with ConTech 1-circuit and 2-circuit 120 volt line voltage track systems.



SHADE COLOR	N/A
BODY FINISH	White
WATTAGE	7W
DIMMER	Dimmable
DIMENSIONS	3.9"W x 3.5"H x 3.75"D
BULB NOT INCLUDED	
LAMP	1 x MR16/GU5.3 (bipin)/7W/12V LED

SPEC #

CNT24253



COMPANY

PROJECT

FIXTURE TYPE

APPROVED BY

DATE