

CTL8816T Low Voltage MR16 Gimbal Track Fixture



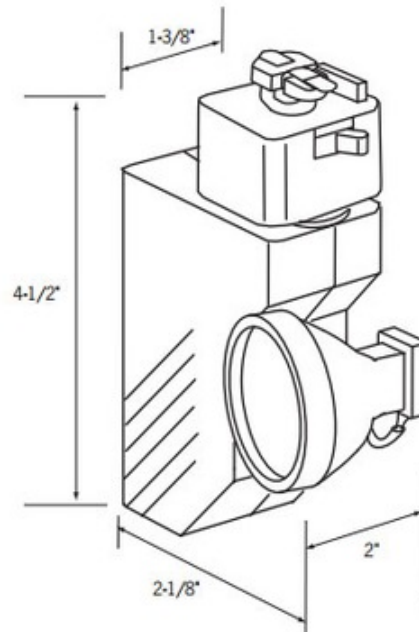
Description:

Low Voltage Gimbal Style Track Fixture features die-cast construction and a compact vertical style transformer with side mounted fixture to reduce silhouette for use with Con-Tech systems only. Finish available in Black, White or Silver. Integral on-off switch and track polarity are standard. One 50 watt, 12 volt GU5.3 MR16 halogen lamp or LED equivalent is required, but not included. Includes clear, tempered safety glass lens for use with open lens MR16 lamps. Transformer included. 2.1 inch width x 2 inch depth x 4.5 inch height. Suitable for dry locations. UL listed.

Shown in: Silver

List Price: \$135.00
 Our Price: \$72.90

Shade Color: N/A
 Body Finish: Silver
 Lamp: 1 x MR16/GU5.3 (bipin)/50W/12V Halogen
 1 x MR16/GU5.3 (bipin)/12V LED
 Wattage: 50W
 Dimmer: Dimmable
 Dimensions: 3.5"H x 2.1"W x 2"D



Product Number: CNT24256			
Company:		Fixture Type:	Date: Mar 18, 2018
Project:		Approved By:	

#0313TR-CTL8816-005H1-00SI

Fax: (773) 883-6131

Phone: 866-954-4489

Address: 1718 W. Fullerton Ave. Chicago IL 60614

www.Lightology.com