

LVR16-TR 4 Inch Non-IC Remodel Housing



Description:

LVR16-TR 4 Inch Non-IC Remodel Housing features a low silhouette design for remodel applications in solid or suspended ceilings. Non-IC designation requires that insulation be kept a minimum of 3 inches away from housing. Narrow fixture design and retractable mounting clips allow easy installation through existing ceiling opening. Includes 12 volt short circuit and thermally protected Class H magnetic transformer. One 50 watt, 12 volt GU5.3 MR16 lamp is required, but not included. Ceiling thickness from .5 to 1.25 inch. cCSAus Certified. Suitable for damp locations. Ceiling opening 4 1/8 inch. 4.56 inch with x 14 inch length x 5.5 inch height. A complete fixture includes a housing and trim, sold separately.

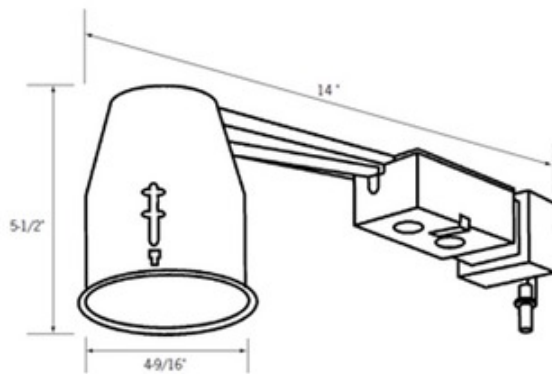
Shown in: Galvanized Steel

List Price: \$145.00
 Our Price: \$87.00

Shade Color: N/A
 Body Finish: Galvanized Steel
 Lamp: 1 x MR16/GU5.3 (bipin)/50W/12V Halogen
 1 x MR16/GU5.3 (bipin)/12V LED
 Wattage: 50W
 Dimmer: Low Voltage Magnetic
 Dimensions: 14"L x 5.5"H x 4.56"W

Technical Information

Ceiling Type: Drywall with Trim
 Housing Type: Remodel NON IC
 Housing Height: 6"
 Aperture Size: 4.000"



Product Number: CNT24431			
Company:		Fixture Type:	Date: Apr 19, 2018
Project:		Approved By:	

#0313RE-LVR16TR-014H1-XXMT

Phone: (773) 883-6131
 Fax: 866-954-4489

Address: 1718 W. Fullerton Ave. Chicago IL 60614

www.Lightology.com