



BRAND

ConTech

DESCRIPTION

LVR316 3 Inch New Construction Non-IC mini recessed, low voltage housing. Non-IC designation requires a 3 inch minimum clearance away from housing. Housing is designed for solid or suspended ceilings and approved for through-circuit 90 degrees C wiring. One 50 watt, 12 volt GU5.3 MR16 lamp is required, but not included. Includes thermally protected Class H magnetic transformer mounted to junction box cover for snap on/off convenience. Dimmable with a low voltage magnetic dimmer. 3 7/8 inch ceiling opening. .50 to 1.25 inch maximum ceiling thickness. cCSAus Certified. Suitable for damp locations. 5.25 inch width x 10.5 inch length x 4.5 inch height.

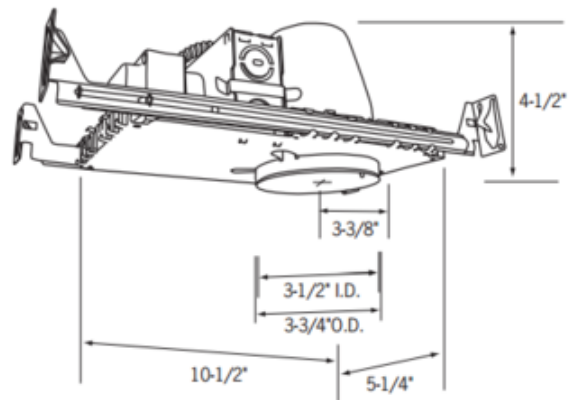


TRIM COLOR	N/A
BODY FINISH	Galvanized Steel
WATTAGE	50W
DIMMER	Low Voltage Magnetic
DIMENSIONS	10.5"L x 5.25"W x 4.5"H
BULB NOT INCLUDED	
LAMP	1 x MR16/GU5.3 (bipin)/50W/12V Halogen 1 x MR16/GU5.3 (bipin)/12V LED

Technical Information

CEILING TYPE	Drywall with Trim
HOUSING TYPE	New Construction NON IC
HOUSING HEIGHT	5"
APERTURE SHAPE	Round

SPEC # CNT24432



Ceiling Opening: 3-7/8"
Max. Ceiling Thickness: 1/2" - 1-1/4"

COMPANY	PROJECT	FIXTURE TYPE	APPROVED BY	DATE