

# LVR316-R 3 Inch Halogen Non-IC Remodel Housing



**Description:**

3 inch Remodel Non-IC low voltage housing designed for remodeling applications in solid or suspended ceilings. Narrow design and retractable mounting clips allow easy installation into existing ceiling. One 50 watt, 12 volt GU5.3 MR16 halogen lamp is required, but not included. Includes magnetic transformer. Ceramic terminal block socket. cULus listed. Suitable for damp locations. 4 inch width x 13.75 inch length x 5.5 inch height.



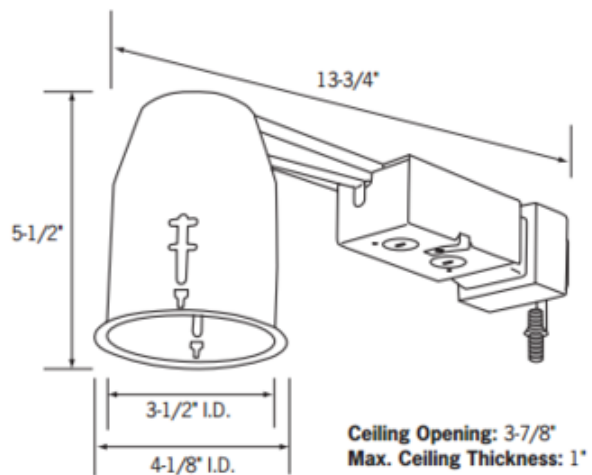
Shown in: Galvanized Steel

List Price: \$147.50  
 Our Price: \$88.50

Shade Color: N/A  
 Body Finish: Galvanized Steel  
 Lamp: 1 x MR16/GU5.3 (bipin)/50W/12V Halogen  
 1 x MR16/GU5.3 (bipin)/12V LED  
 Wattage: 50W  
 Dimmer: Low Voltage Magnetic  
 Dimensions: 13.75"L x 5.5"H x 4"W

**Technical Information**

Ceiling Type: Drywall with Trim  
 Housing Type: Remodel NON IC  
 Housing Height: 6"  
 Aperture Size: 3.000"



Product Number: <b>CNT24433</b>			
Company:		Fixture Type:	Date: Apr 23, 2018
Project:		Approved By:	

#0313RE-LVR316R-014H1-XXMT

Fax: (773) 883-6131

Phone: 866-954-4489

Address: 1718 W. Fullerton Ave. Chicago IL 60614

www.Lightology.com