

# TC44 4 Inch MR16 New Construction Non-IC Housing



**Description:**

TC44 4 Inch MR16 New Construction Non-IC Housing is designed for use in non-insulated areas. If installed where insulation is present the insulation must be pulled back 3 inches from all sides of the housing. The housing includes a 50 watt 12 volt thermally protected, magnetic transformer. Ceiling cutout 4 1/2 inches. One 50 watt, 12 volt GU5.3 MR16 bulb is required, but not included. Halogen bulb option dimmable with a low voltage magnetic dimmer, sold separately. Check with bulb manufacturer for dimmer compatibility when using LED bulb option. 6.75 inch width x 12.1 inch length x 5.38 inch height. A complete fixture includes a housing and trim, sold separately.

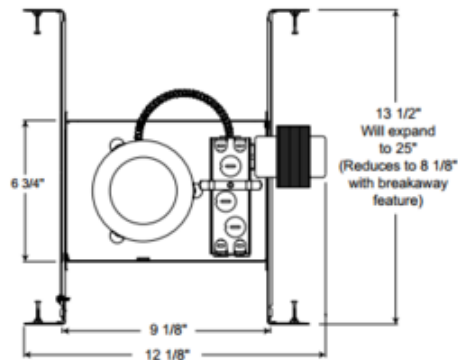
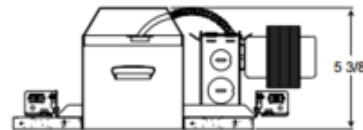


List Price: \$77.70  
 Our Price: \$46.62

Shade Color: N/A  
 Body Finish: N/A  
 Lamp: 1 x MR16/GU5.3 (bipin)/50W/12V Halogen  
 1 x MR16/GU5.3 (bipin)/12V LED  
 Wattage: 50W  
 Dimmer: Low Voltage Magnetic  
 Dimensions: 12.1"L x 5.38"H x 6.75"W

**Technical Information**

Ceiling Type: Drywall with Trim  
 Housing Type: New Construction NON IC  
 Housing Height: 6"  
 Aperture Size: 0.000"  
 Product Dimensions: 4.50 inch ceiling cutout



4 1/2" CEILING CUTOUT

Product Number: <b>JUN26387</b>			
Company:		Fixture Type:	Date: Apr 19, 2018
Project:		Approved By:	

#1000RS-TC44-004H1-00TC

Fax: (773) 883-6131

Phone: 866-954-4489

Address: 1718 W. Fullerton Ave. Chicago IL 60614

www.Lightology.com